



**Sliding system for concertina doors**

***SALICE***

## Sliding system for concertina doors - Technical features

The Salice system for concertina doors has been designed to open both doors on one side only, giving good access to the interior of the cabinet.

Space taken up by the door in the maximum open position is reduced to a minimum (approximately 80 mm).



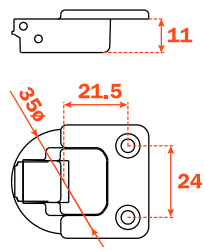
A nylon strip is available in order to prevent insertion of objects or fingers between doors. This also makes the system dustproof.

To ensure that the door closes fully and securely, particularly when there is some curvature of the door, a locating device is available.



**F1C169**

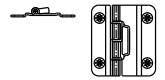
Hinge for sliding block



Central hinge

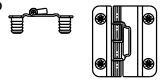


**F1CXE9**  
screw-on



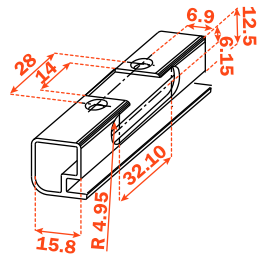
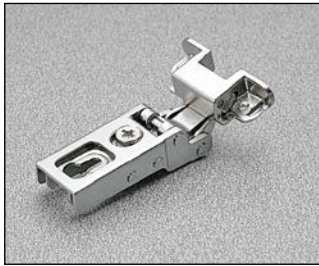
**F1C0E9**

knock-in  
Dowels  $\varnothing$  8x11.5



**F1CZ69**

For aluminium-framed doors



Adhesive finger-protection strip



**F1SBAY** neutro

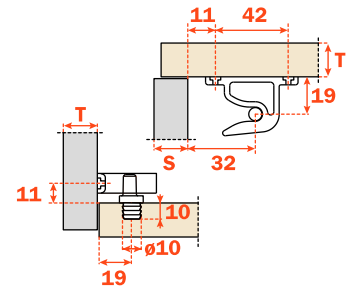
**F1PVAY**

Long sliding block  
For aluminium-framed doors



**F1RFAY**

Locating device for door



**F1PXAY**

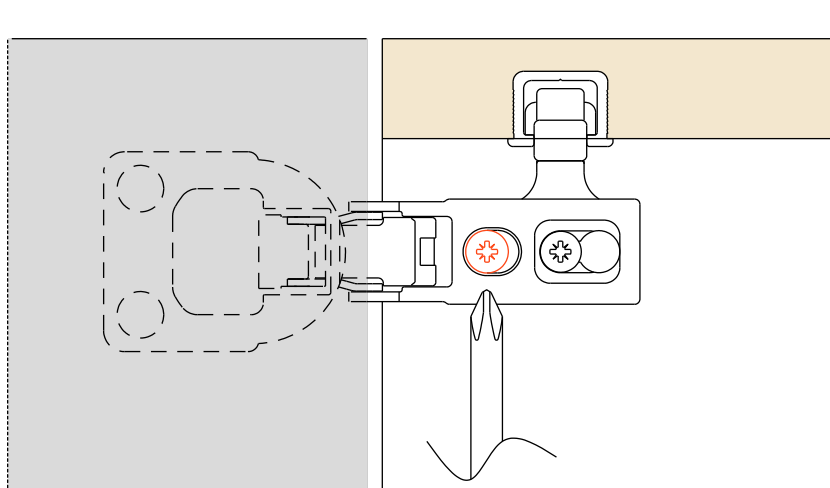
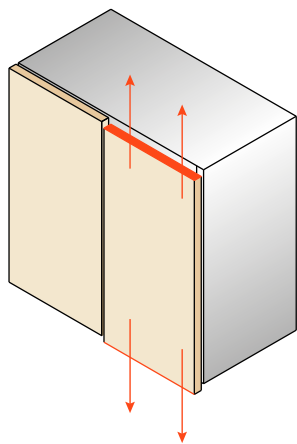
Sliding block



## Calibrated height adjustment

Height adjustment of hinges assembled with the sliding components is achieved through a cam. Through this alignment a parallel movement of the component in the track is achieved. The result is a smooth movement without any binding.

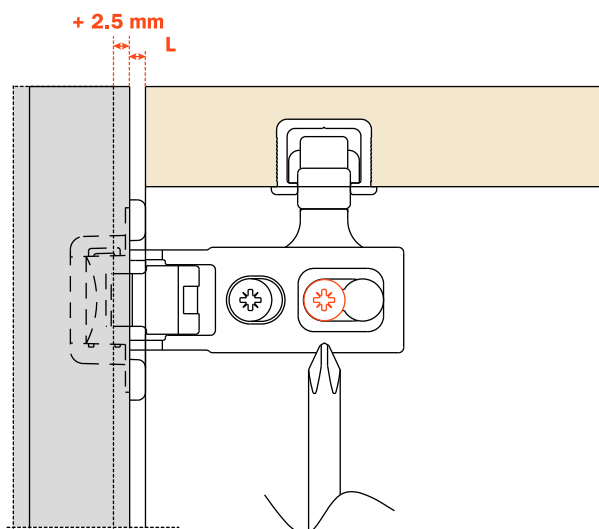
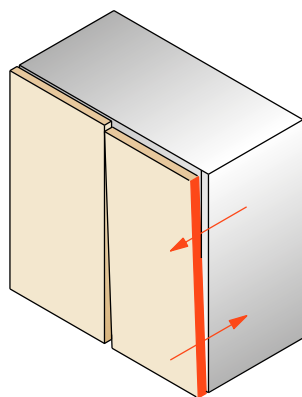
**ATTENTION!** The sliding block does not have a load-bearing function. Therefore it must slide freely inside the track.



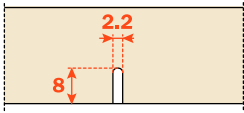
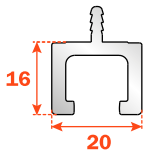

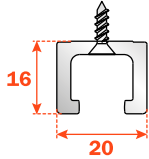
**+2 mm -2 mm**

## Depth adjustment

Depth adjustment of the hinges mounted on the sliding component is achieved through the fixing screw of the same hinge. Depth adjustment should be made in conjunction with the hinges mounted on the opposite door. This adjustment is useful to keep the "L" value constant all along front of the furniture.

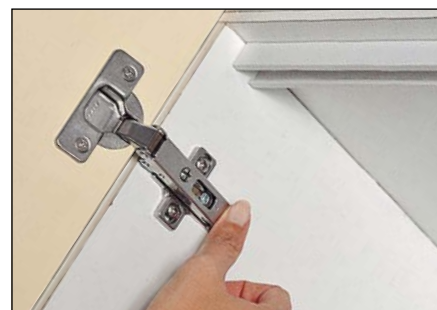


**+2.5 mm**

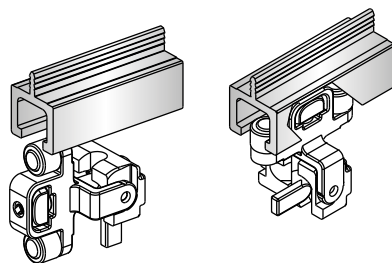
	<b>barb-fixed</b>	<b>screw-on B 3.5 DIN 7982</b>
	 	 
Colours		
white	<b>F1GIA1</b> .....	<b>F1GFA1</b> .....
black	<b>F1GIA3</b> .....	<b>F1GFA3</b> .....
grey	<b>F1GIAG</b> .....	<b>F1GFAG</b> .....
beige	<b>F1GIAP</b> .....	<b>F1GFAP</b> .....

Standard lengths available: 590 mm, 880 mm, 1180 mm. Non-standard lengths can be supplied subject to a minimum order quantity of 900 pieces. The required length should be expressed in millimetres in the last four digits of the product code occupied by the dashes.

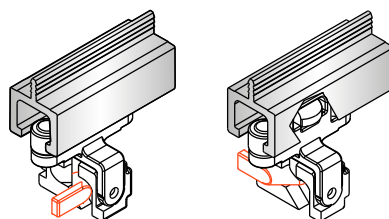
Mount the hinges of the fixed door on to the mounting plates on the cabinet side.  
We recommend the use of Salice hinge part number C2A6A99 110° with BAR3R mounting plate or similar.



Position the sliding block inside the track by rotating it 90°.



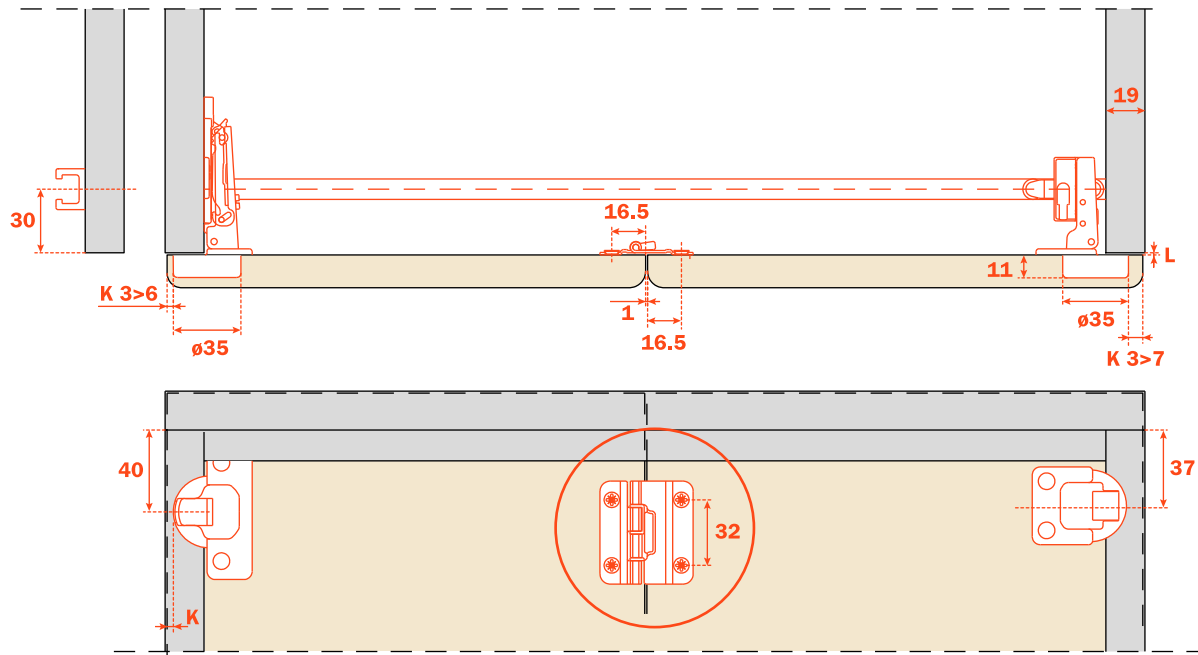
Lock the sliding block into position by turning the marked in orange lever.



## Application into the top of the cabinet and doors Solution with plastic track barb-fixed or screw-fixed

### Drilling distances without finger-protection strip

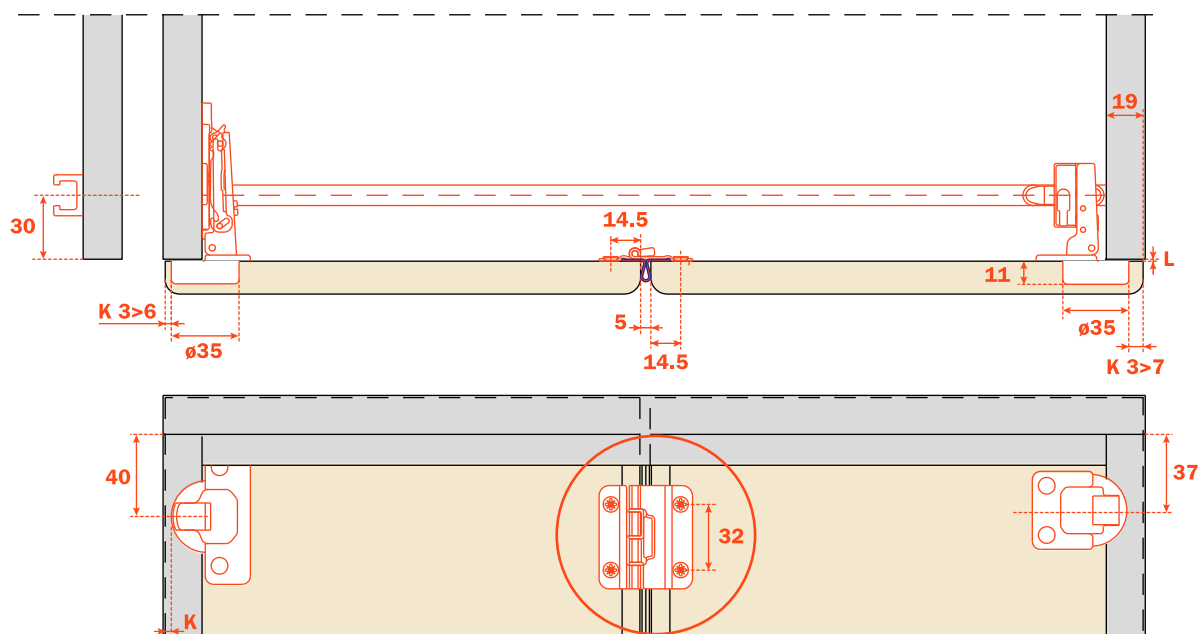
To facilitate the assembly of the doors on the cabinet, it is preferable to premount all the hinges.



**Central assembly:**  
 - narrow part to be mounted on the door which is fixed to the cabinet side;  
 - wider part to be mounted on the moving door.

### Drilling distances with finger-protection strip

To facilitate the assembly of the doors on the cabinet, it is preferable to premount all the hinges.

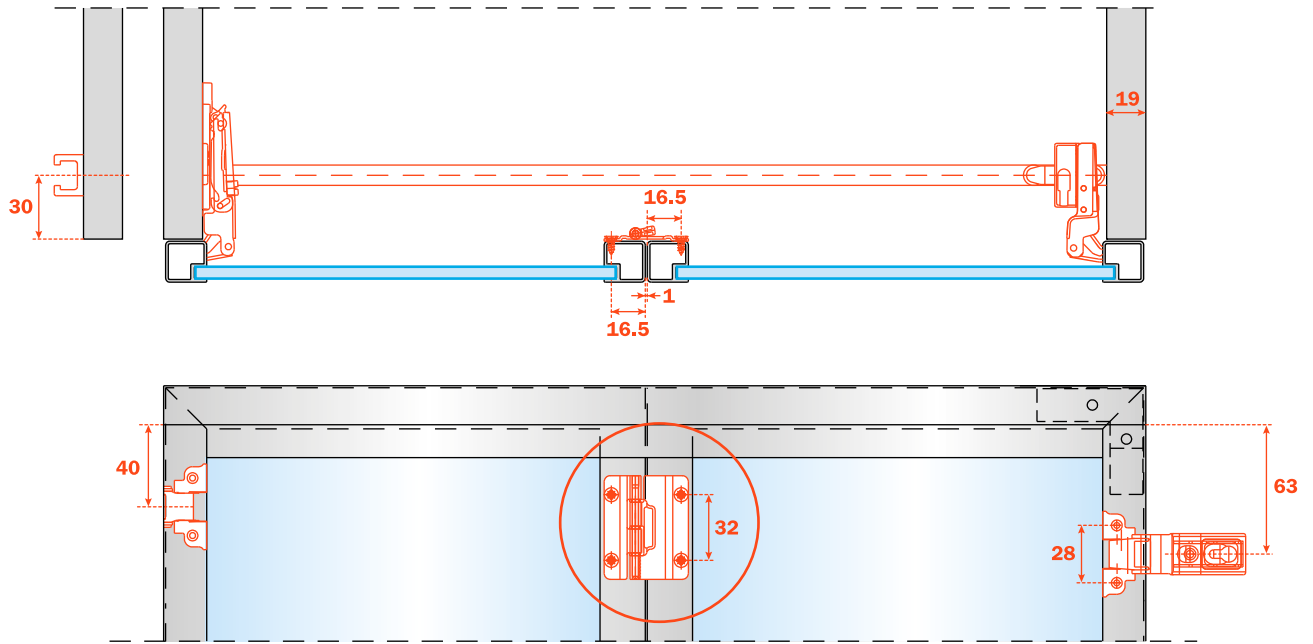


**Central assembly:**  
 - narrow part to be mounted on the door which is fixed to the cabinet side;  
 - wider part to be mounted on the moving door.

**Application into the top of the cabinet and doors.**  
**Solution with plastic track barb-fixed or screw-fixed.**

**Glass doors with aluminium-frame**  
**Drilling distances without finger-protection strip and with long sliding block**

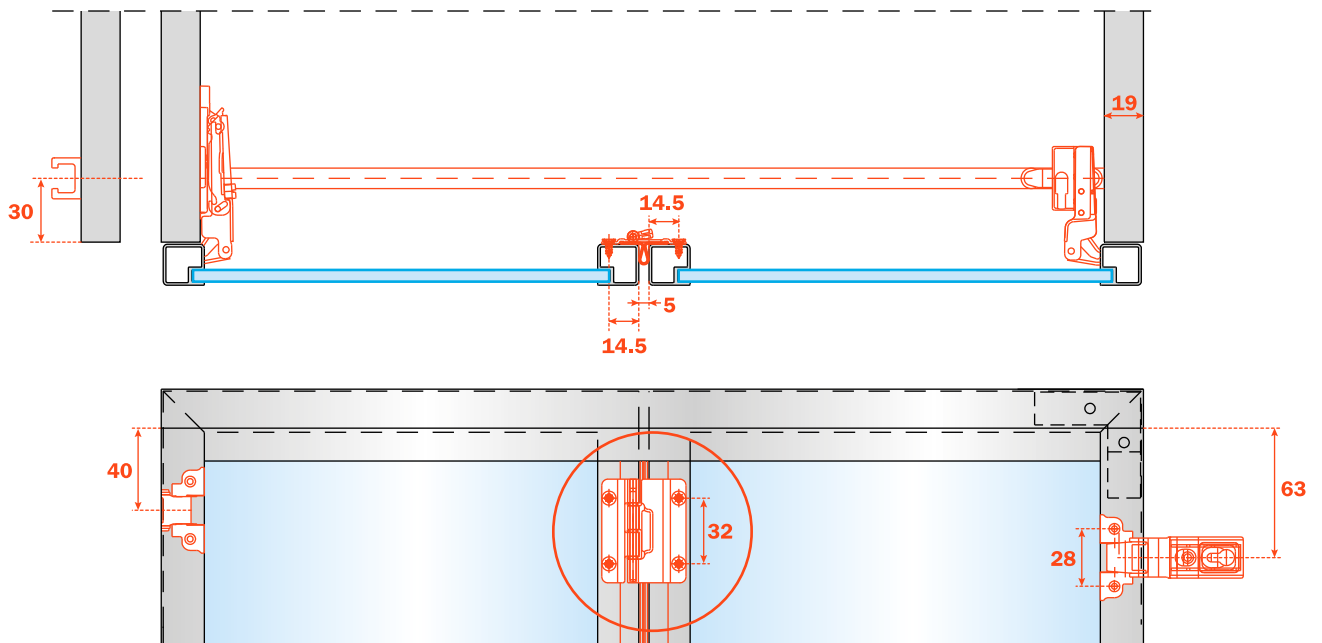
To facilitate the assembly of the doors on the cabinet, it is preferable to premount all the hinges.



- Central assembly:**
- narrow part to be mounted on the door which is fixed to the cabinet side;
  - wider part to be mounted on the moving door.

**Glass doors with aluminium frame**  
**Drilling distances with finger-protection strip and long sliding block**

To facilitate the assembly of the doors on the cabinet, it is preferable to premount all the hinges.



- Central assembly:**
- narrow part to be mounted on the door which is fixed to the cabinet side.
  - wider part to be mounted on the moving door.

**Packaging (standard packaging)**

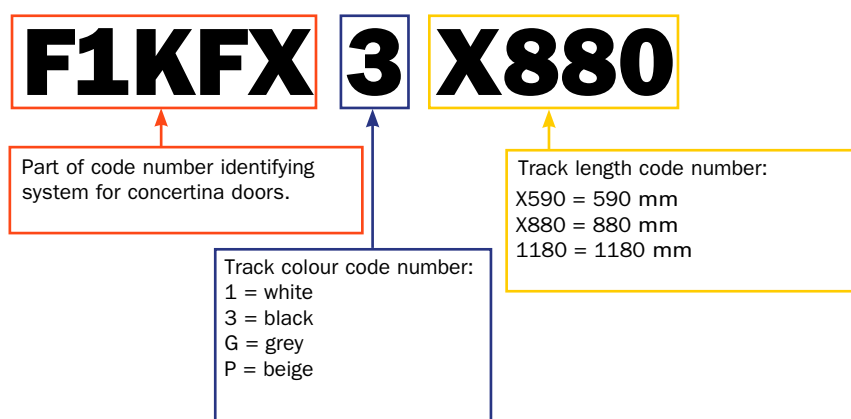
Elements of the system	Boxes	Pallets
F1C169	300 pcs.	7.200 pcs.
F1PXAY	300 pcs.	7.200 pcs.
F1CXE9	600 pcs.	14.400 pcs.
F1COE9	600 pcs.	14.400 pcs.
F1RFAY	300 pcs.	7.200 pcs.
F1CZ69	300 pcs.	7.200 pcs.
F1CA69	300 pcs.	7.200 pcs.
F1PVAY	300 pcs.	7.200 pcs.
F1C069	300 pcs.	7.200 pcs.
Adhesive finger-protection strip	200 metres	
Tracks 880 mm - 1180 mm	75 pcs.	
Tracks 590 mm	150 pcs.	

**KIT - Packaging**

F1C169	25 pcs.
F1PXAY	25 pcs.
F1CXE9	75 pcs.
F1GFA.....	25 pcs.
Available in 3 lengths	
and 4 colours	

Code number composition (example)

**F1KFX3X880**











## **ARTURO SALICE S.p.A.**

VIA PROVINCIALE NOVEDRATESE, 10  
22060 NOVEDRATE (COMO) ITALIA  
TEL. 031 790424  
FAX 031 791508  
info.salice@salice.com  
www.salice.com

### **DEUTSCHE SALICE GMBH**

RUDOLF DIESEL STR. 10  
POSTFACH 1154  
74382 NECKARWESTHEIM  
TEL. 07233 9807-0  
FAX. 07233 9807-16  
info.salice@deutschesalice.de  
www.deutschesalice.de

### **DEUTSCHE SALICE GMBH**

VERKAUFSBÜRO NORD  
RINGSTRASSE 36/A30 CENTER  
32584 LÖHNE  
TEL. 05731 15608-0  
FAX. 05731 15608-10  
vknord@deutschesalice.de  
www.deutschesalice.de

### **SALICE FRANCE S.A.R.L.**

ROUTE DE GOA ZAC LES 3 MOULINS  
06600 ANTIBES  
TEL. 0493 330069  
FAX. 0493 330141  
info.salice@salicefrance.com  
www.salicefrance.com

### **SALICE ESPAÑA, S.L.U.**

CALLE COPÉRNICO, 11  
POLÍGONO INDUSTRIAL  
COLL DE LA MANYA  
08403 GRANOLLERS (BARCELONA)  
TEL. 938 45 88 61  
FAX 938 49 11 97  
info.salice@saliceespana.es  
www.saliceespana.es

### **SALICE UK LTD.**

KINGFISHER WAY  
HUNCHINGBROOKE BUSINESS PARK  
HUNTINGDON CAMBS PE 29 6FN  
TEL. 01480 413831  
FAX. 01480 451489  
info.salice@saliceuk.co.uk  
www.saliceuk.co.uk

### **SALICE AMERICA INC.**

2123 CROWN CENTRE DRIVE  
CHARLOTTE NC. 28227  
TEL. 704 8417810  
FAX. 704 8417808  
info.salice@saliceamerica.com  
www.saliceamerica.com

### **SALICE CANADA INC.**

3500 RIDGEWAY DRIVE,  
UNIT#1  
MISSISSAUGA, ONTARIO, L5L 0B4  
TEL. 905 8208787  
FAX. 905 8207226  
info.salice@salicecanada.com  
www.salicecanada.com

### **SALICE CHINA (SHANGHAI) CO. LTD.**

1st FLOOR, B1 BLDG 928 MINGZHU ROAD  
XUJING, QINGPU DISTRICT  
SHANGHAI 201702 - CHINA  
Tel. 021 3988 9880  
Fax 021 3988 9882  
info.salice@salicechina.com  
www.salicechina.com