

HAND TOOL HOOK
300.5263.MAL

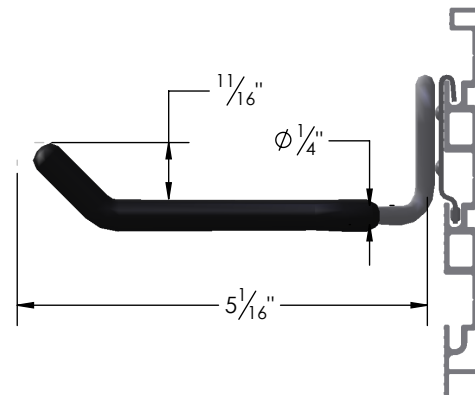
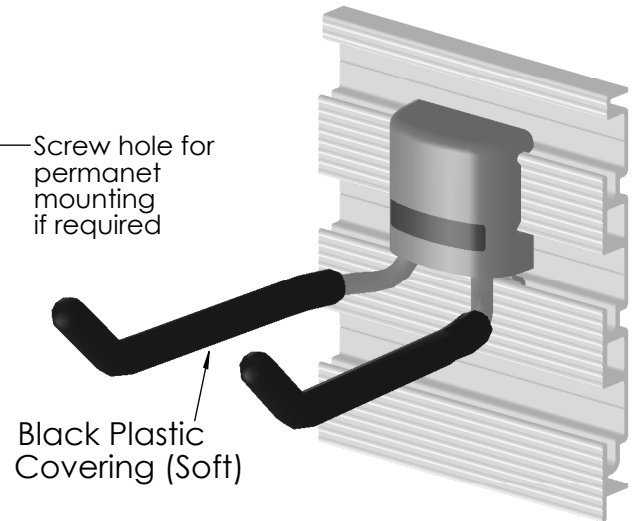
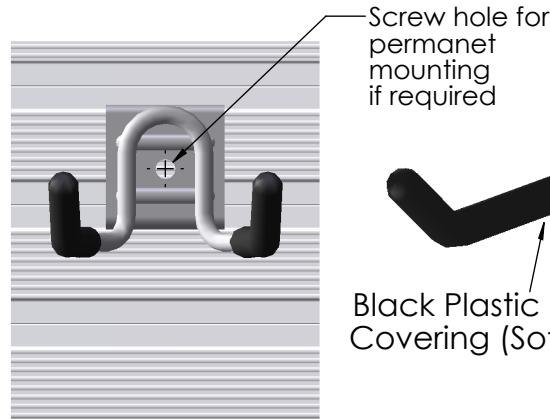
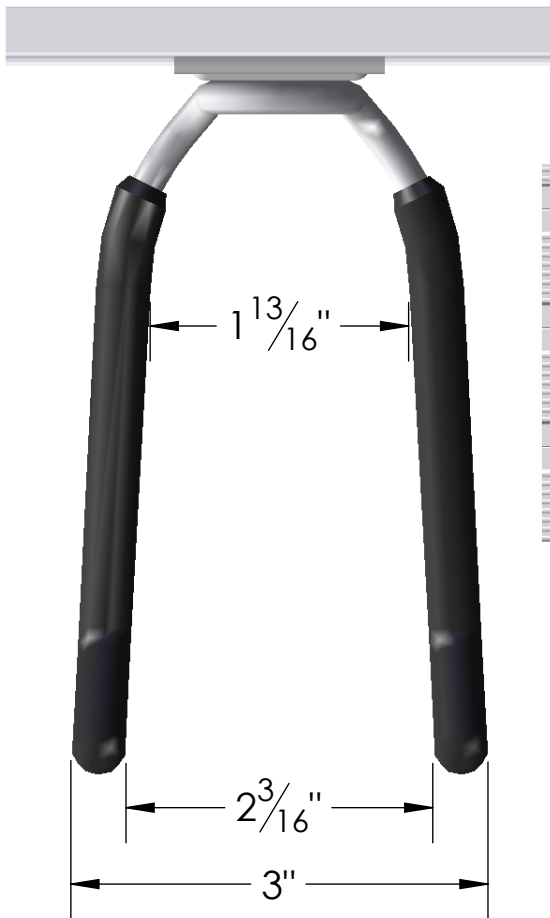
DESCRIPTION & SPECIFICATIONS

The Hand Tool Hook provides an ideal place for hammers, flashlights, paint brushes, hand saws and extension cords. Features soft protective covers.

SIZE & CAPACITY | Light Duty

AVAILABLE FINISHES | 

Matte Aluminum.



INSTRUCTIONS & SPECIFICATIONS

- STEP 1: Align the hook above the track panel channels at desired height.
- STEP 2: Position the hook horizontally by sliding it along the track.
- STEP 3: Press the cover cap onto the hook bracket to fix position.

- One Cover Cap 300.5230 required & must be ordered separately
- Hooks & accessories are only intended to be mounted to the track

FINISH	CODE (FIN)
MATTE ALUMINUM	MAL

SUGGESTED USES	
HAMMER	FLASHLIGHT
MOP/BROOM	PAINT BRUSH