

HOSE HOOK
300.5203.MAL

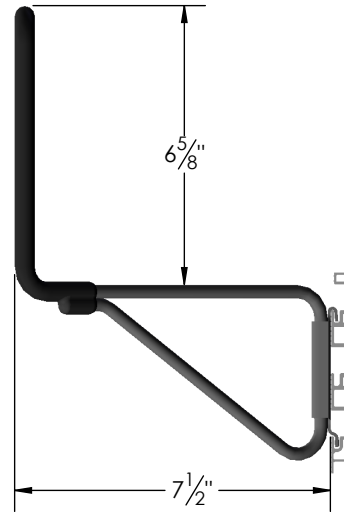
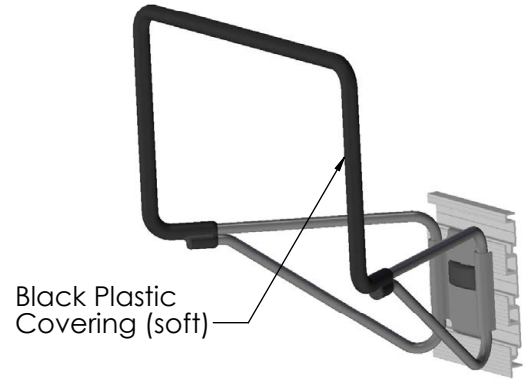
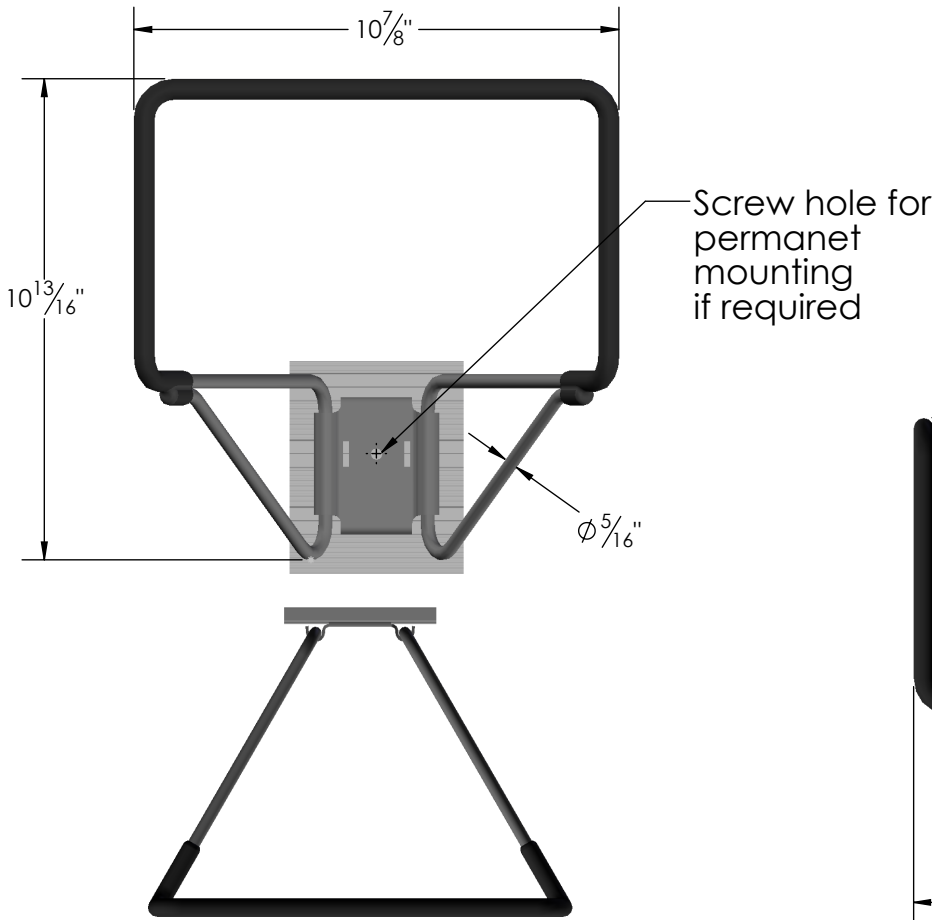
DESCRIPTION & SPECIFICATIONS

The Hose Hook is perfect for garden hoses, central vac hoses and even ladders. Designed for a variety of sizes and has a soft protective covering.

SIZE & CAPACITY | Heavy Duty

AVAILABLE FINISHES | 

Matte Aluminum.



INSTRUCTIONS & SPECIFICATIONS

- STEP 1: Align the hook above the track panel channels at desired height.
- STEP 2: Position the hook horizontally by sliding it along the track.
- STEP 3: Press the cover cap onto the hook bracket to fix position.

- One Cover Cap 300.5200 required & must be ordered separately
- Hooks & accessories are only intended to be mounted to the track

FINISH	CODE (FIN)
MATTE ALUMINUM	MAL

SUGGESTED USES	
GARDEN HOSE	CENTRAL VAC
LADDER	