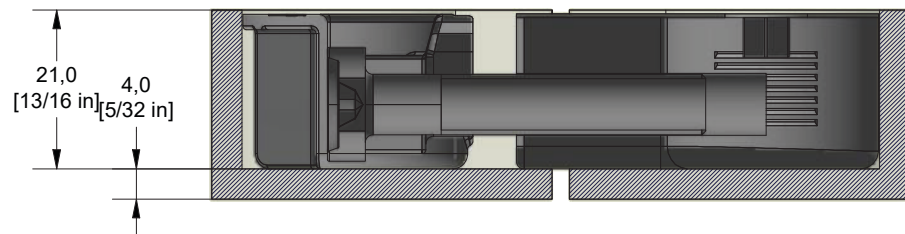


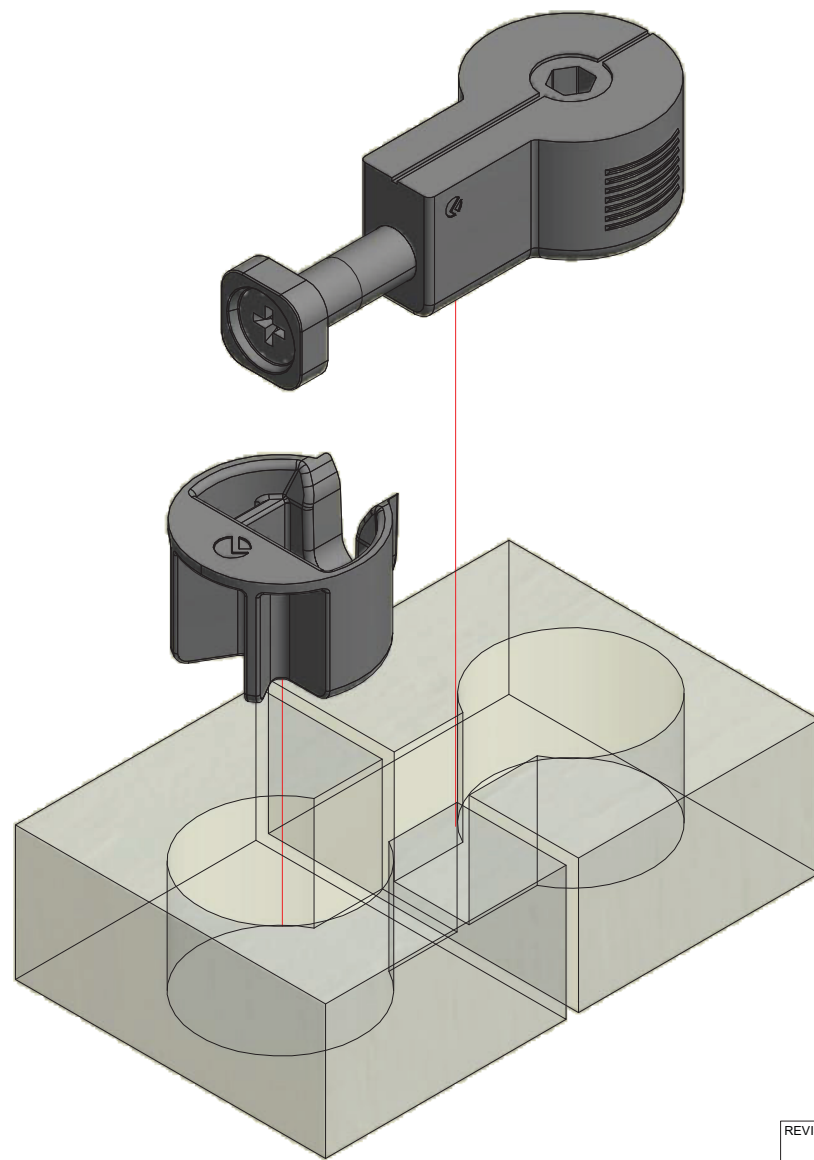
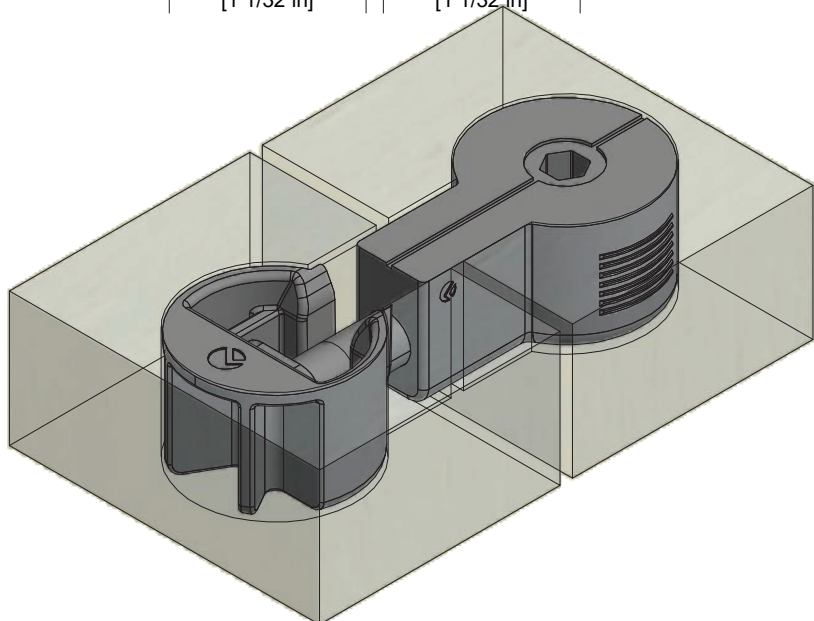
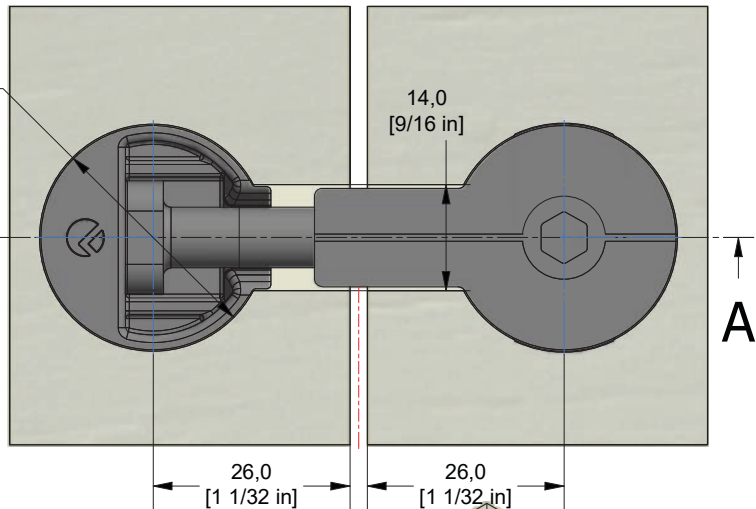
| REVISION |
|----------|
| -        |

|  |                                |
|--|--------------------------------|
| ITEM/CATALOG NUMBER<br>269.96.250  | DRAWING NUMBER<br>262.96.250   |
| TITLE<br>QUICK WORKTOP CONNECTOR 30MM, M8 X 52MM   |                                |
| MATERIAL<br>ZINC   | FINISH<br>WHITE                |
| <small>NOTE: THIS DRAWING AND ALL INFORMATION THEREON IS THE PROPERTY OF HÄFELE. IT IS SUBJECT TO RESTRICTIONS ON REPRODUCTION.</small>  |                                |
| <small>THIS DRAWING AND INFORMATION THEREON IS CONFIDENTIAL. MUST NOT BE MADE PUBLIC. CHECKER OF ISO 9001 DISADVANTAGE OF SAH HÄFELE AMER. S. CO. IT IS SUBJECT TO RESTRICTIONS ON REPRODUCTION.</small> |                                |
| <small>TOLERANCE SPECIFICATION ISO 2768-m</small>  |                                |
| <small>ISO E</small>   | <small>SCALE: 1 : 1</small>    |
| <small>SIZE A</small>  | <small>SHEET 1 OF 2</small>    |
| <small>DRAWN BY: NPG</small>   | <small>APPROVED BY: JF</small> |
| <small>DATE: 7/22/2008</small>   |                                |

A-A (1:1)



Ø30,0  
[Ø1 3/16 in]



|          |
|----------|
| REVISION |
| -        |

|  |                |                       |          |
|--|----------------|-----------------------|----------|
| ITEM/CATALOG NUMBER  | DRAWING NUMBER | 262.96.250-262.96.238 |          |
| TITLE<br>QUICK WORKTOP CONNECTOR 30MM, M8 X 52MM   |                |                       |          |
| MATERIAL   |                | FINISH                |          |
| NOTE:<br>THIS DRAWING AND ALL INFORMATION THEREON IS THE PROPERTY OF<br><b>HÄFELE</b><br>THIS DRAWING AND INFORMATION THEREON IS CONFIDENTIAL. MUST NOT BE MADE PUBLIC.<br>CANNOT BE USED TO THE DISADVANTAGE OF SÄHLE HÄFELE AMER-USA, IT IS SUBJECT TO<br>RETURN OR DESTRUCTION. |                | DRAWN BY:             | NPG      |
| TOLERANCE SPECIFICATION  |                | APPROVED BY:          | JF       |
| ISO E  |                | DATE:                 | 8/5/2020 |
| SIZE   |                | SCALE:                | 1:1      |
| A  |                | SHEET 2 OF 2          |          |