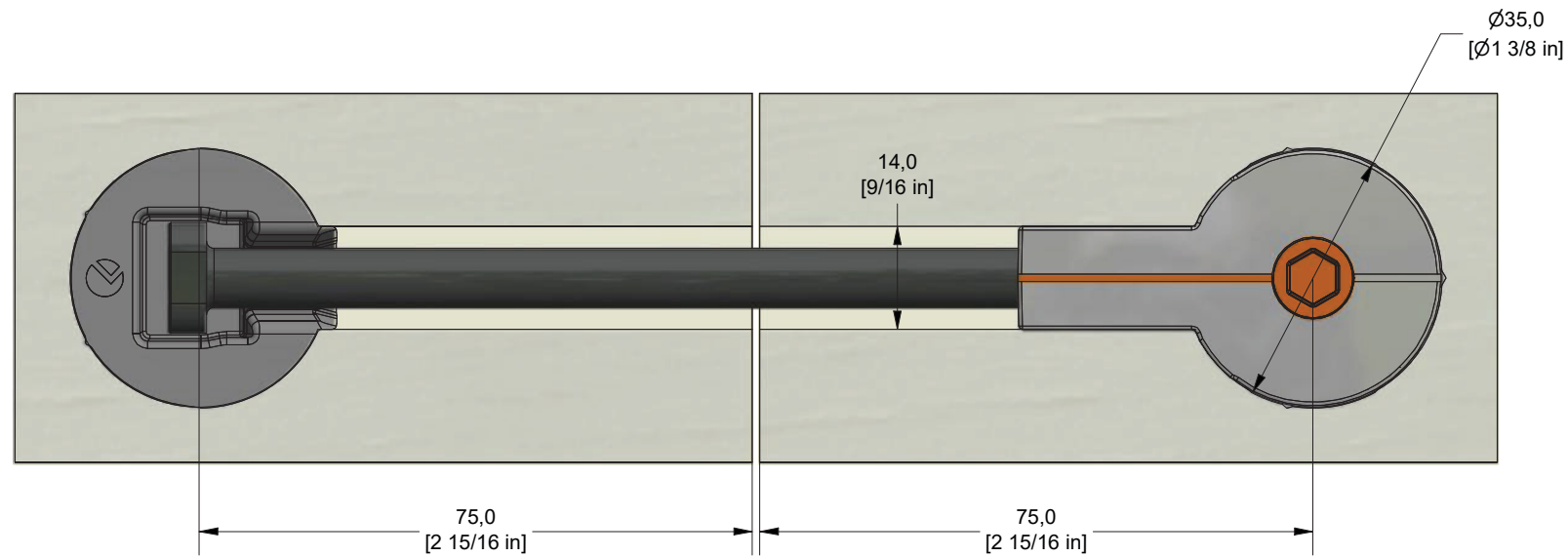
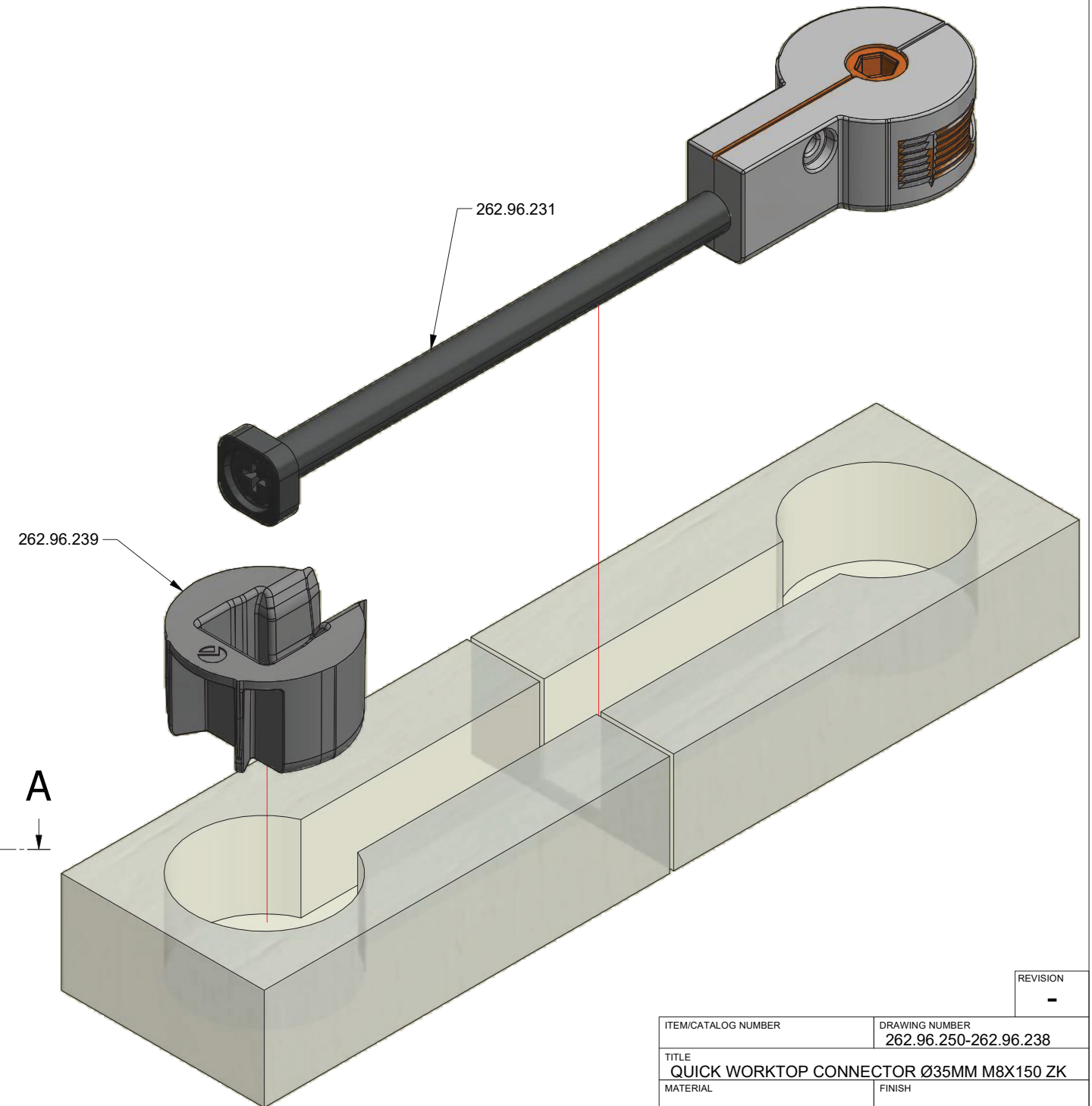
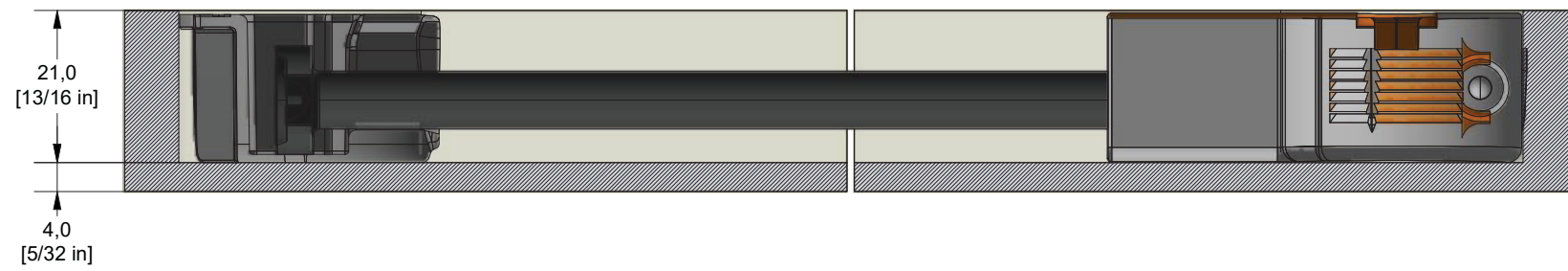


REVISION
-

ITEM/CATALOG NUMBER 262.96.231	DRAWING NUMBER 262.96.231
TITLE QUICK WORKTOP CONNECTOR Ø35MM M8X150 ZK	
MATERIAL ZINC	FINISH WHITE
DRAWN BY: NPG	
APPROVED BY: JF	
DATE: 1/23/2009	
SCALE: 1 : 1	
TOLERANCE SPECIFICATION ISO 2768-m	ISO E
SIZE B	SHEET 1 OF 2



A-A (1 : 1)



REVISION	-
----------	---

ITEM/CATALOG NUMBER	DRAWING NUMBER
	262.96.250-262.96.238
TITLE	
QUICK WORKTOP CONNECTOR Ø35MM M8X150 ZK	
MATERIAL	FINISH
DRAWN BY: NPG	
APPROVED BY: JF	
DATE: 8/5/2020	
SCALE: 1 : 1	
TOLERANCE SPECIFICATION	ISO E
	SHEET 2 OF 2