

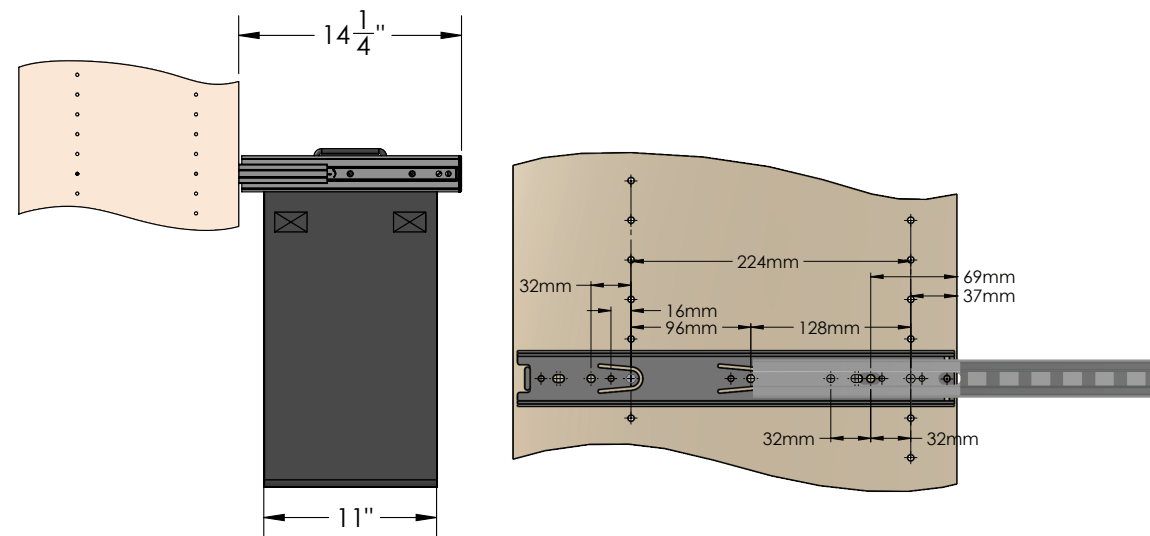
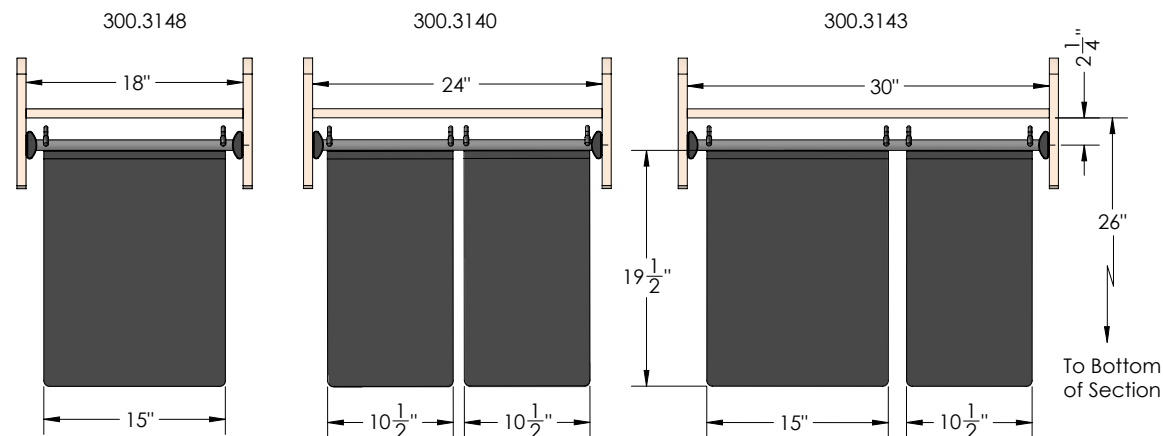
LAUNDRY
pull-out hamper

18" 300.3148.xxx
24" 300.3140.xxx
30" 300.3143.xxx

FEATURES

Sort as you go with this set of individually removable soft laundry hamper bags

Comfortable hand grips for easy carrying



DIMENSIONS

SPECS

18"	24"	30"
300.3148.xxx (FINISH)	300.3140.xxx (FINISH)	300.3143.xxx (FINISH)

OPTIONS

FINISH:

CR	MAL	MNL	ORB
POLISHED CHROME	MATTE ALUMINUM	MATTE NICKEL	OIL RUBBED BRONZE



300.3143.MAL
PATENT #: 7210659

FINISHED PRODUCT