

**ENGAGE**  
jewelry organizer

31.6115.xx.xxx.xxx  
+ 310.6170.xx.xxx

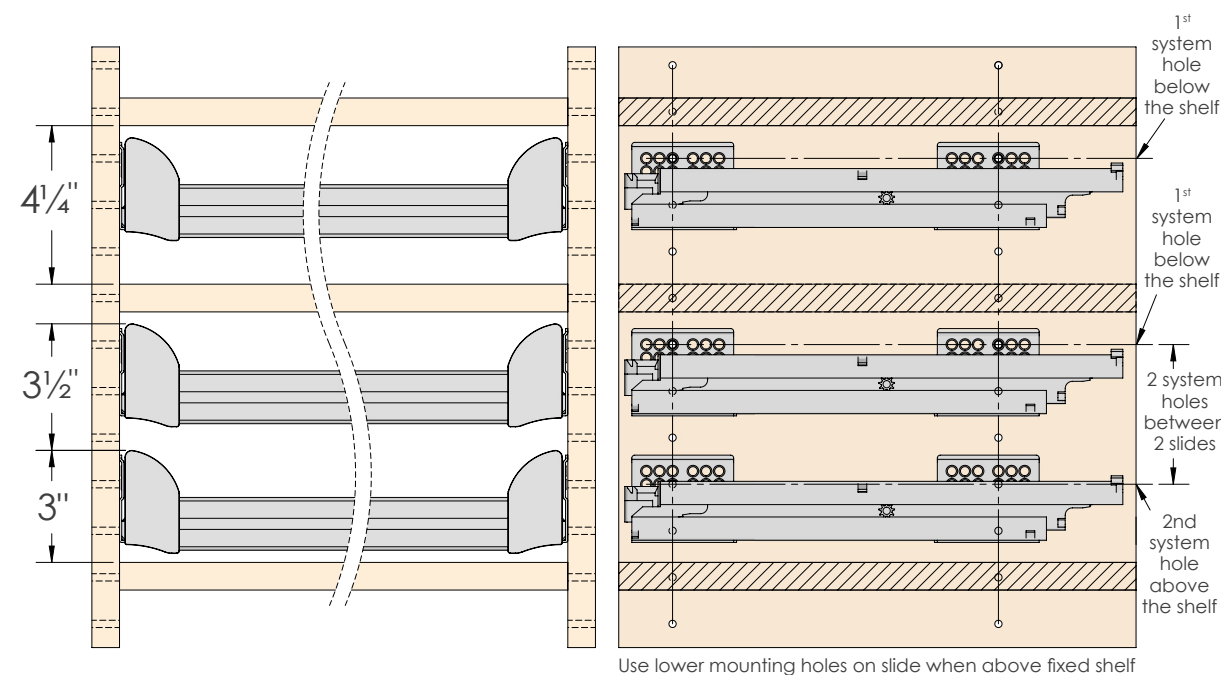
**FEATURES**

Designed specifically to accommodate jewelry, sunglasses and other accessories

Grid can be reconfigured, changing the space widths to suit different items and spaces

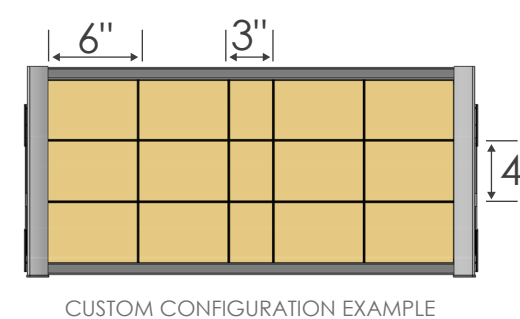
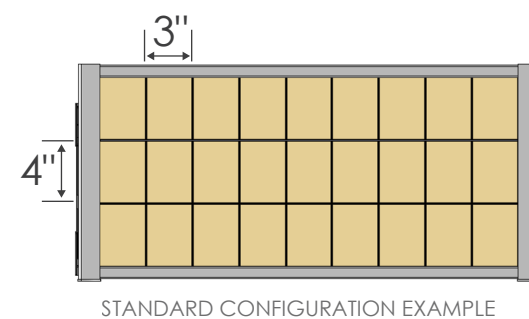
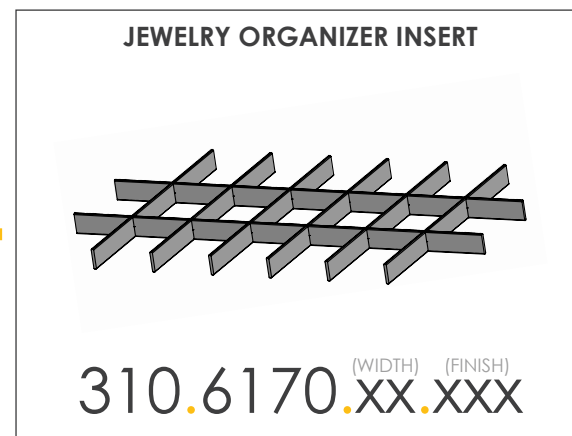
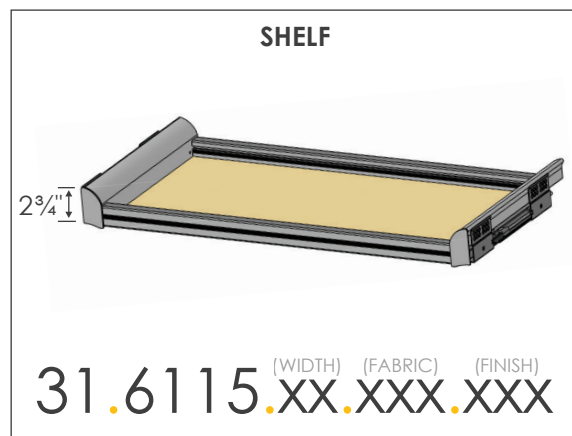
The Jewelry Organizer is a great addition to offices and craft rooms too

Features undermount soft closing slides



**DIMENSIONS**

**SPECS**



**OPTIONS**

**WIDTH:** 18" 24" 30" 36"    **DEPTH:** 14"

**FABRIC:** BEA (BEACH) SLA (SLATE)

**FINISH:** MAL (MATTE ALUMINUM) MNL (MATTE NICKEL) SG (SLATE) MG (MATTE GOLD) ORB (OIL RUBBED BRONZE)



31.6115.36.SLA.MAL  
+ 310.6170.36.SLA  
PATENT #: 9743765

**FINISHED PRODUCT**