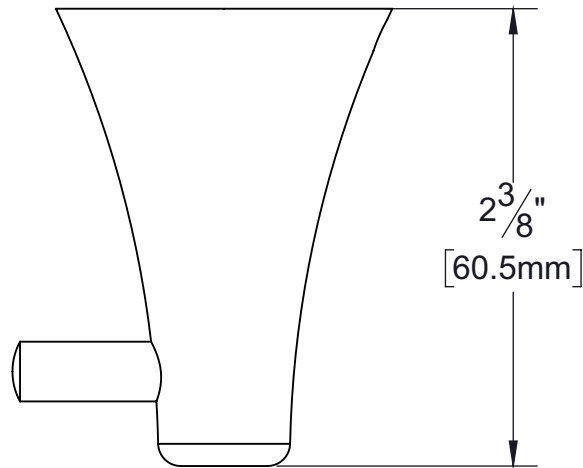
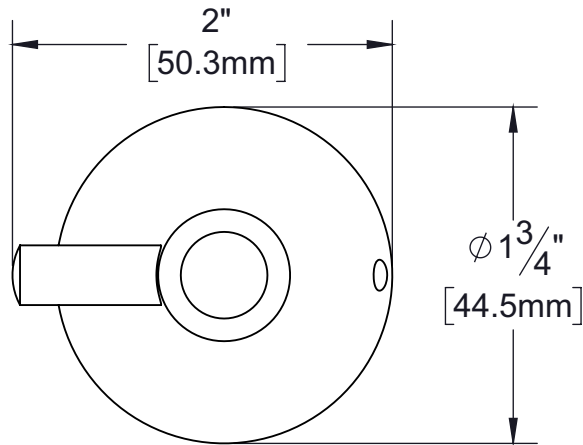


PRODUCT DATA SHEET

Product Description: Robe hook, Duval. Fabricated from die cast zinc with a US26 bright chrome finish. Ships with mounting hardware.



Overall Size: 1 3/4" W X 2" H X 2 3/8" D

Material: Zinc

Finish: US26 Bright Chrome

Cross Reference

| Manufacturer | Part Number |
|--------------|-------------|
| | |
| | |
| | |



Description:

**Robe Hook,
Duval**

Part Number:

10800

Date

07/17

Rev.

01