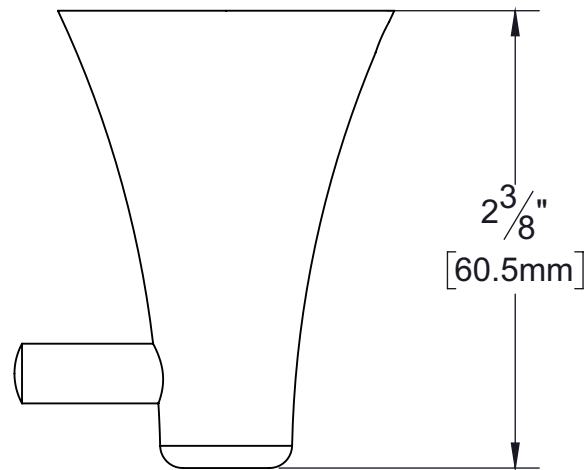
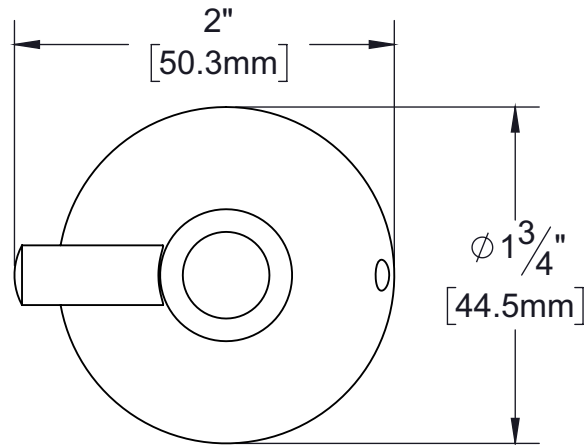


# PRODUCT DATA SHEET

**Product Description:** Robe hook, Duval. Fabricated from die cast zinc with a US19 matte black finish. Ships with mounting hardware.



**Overall Size:** 1 3/4" W X 2" H X 2 3/8" D

**Material:** Zinc

**Finish:** US19 Matte Black

### Cross Reference

Manufacturer	Part Number



Description:

## Robe Hook, Duval

Part Number:

# 10815

Date

07/17

Rev.

01