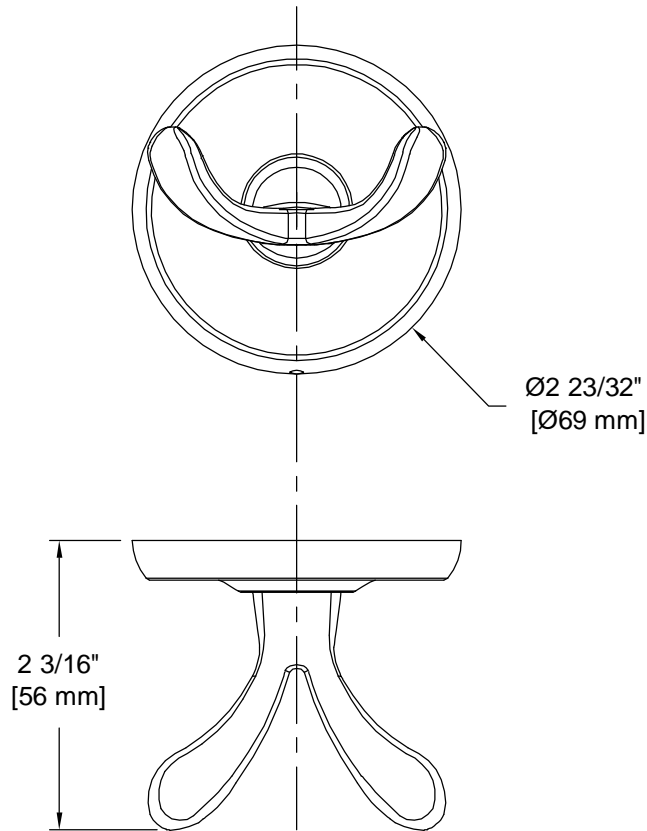


PRODUCT DATA SHEET

Product Description: Robe hook, Royal Palm. Fabricated from solid brass with a US15 satin nickel finish. Ships with mounting hardware.



Overall Size: 2 23/32" W X 2 23/32" H X 2 3/16" D

Material: Brass

Finish: US15 Satin Nickel

Cross Reference

Manufacturer	Part Number



Description:

**Robe Hook,
Royal Palm**

Part Number:

14100

Date

06/16

Rev.

03

Sheet 1 of 1