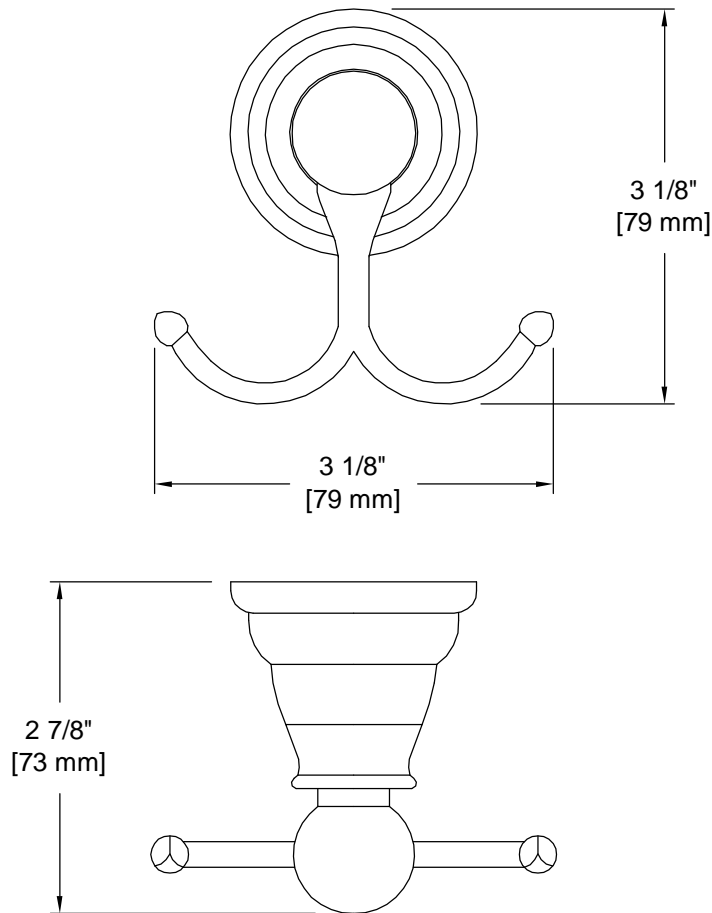


PRODUCT DATA SHEET

Product Description: Robe hook, Lexington. Fabricated from die cast zinc with a US26 bright chrome finish. Ships with mounting hardware.



Overall Size: 3 1/8" W X 3 1/8" H X 2 7/8" D

Material: Zinc

Finish: US26 Bright Chrome

Cross Reference

Manufacturer	Part Number



Description:

Robe Hook, Lexington

Part Number:

15001

Date

08/16

Rev.

02

Sheet 1 of 1