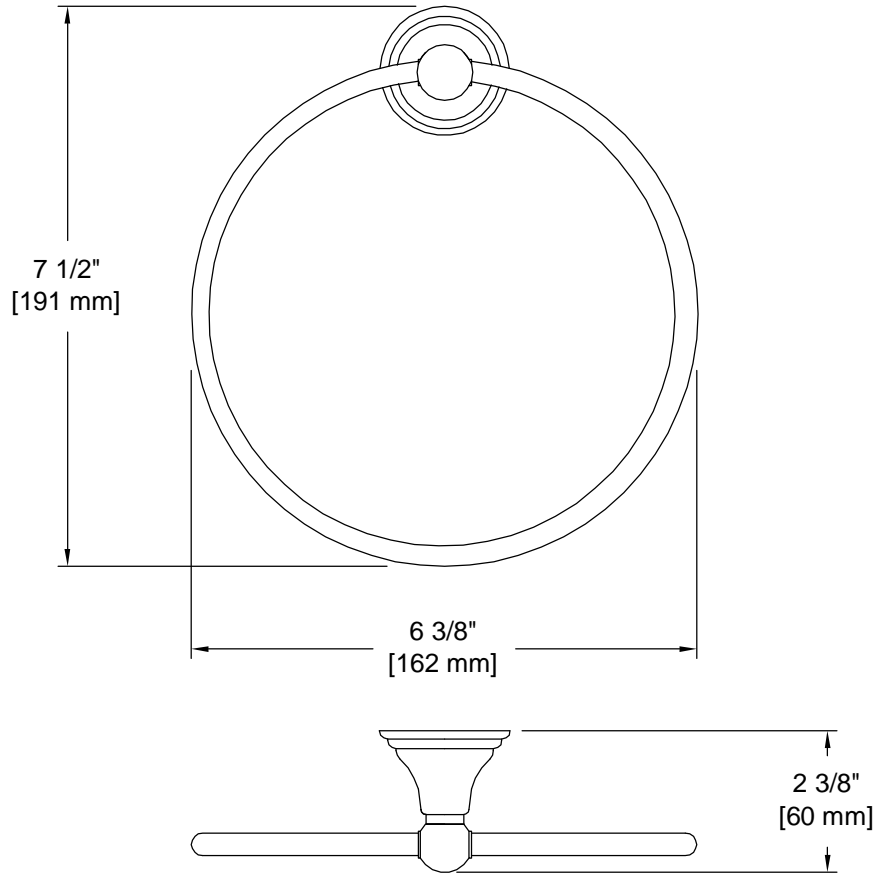


PRODUCT DATA SHEET

Product Description: Towel ring, Alexandria. Post is fabricated from die cast zinc with a US26 bright chrome finish. Ring is fabricated from stainless steel with a US26 bright chrome finish. Ships with mounting hardware.



Overall Size: 6 3/8" W X 7 1/2" H X 2 3/8" D

Material: Zinc Post, Stainless Steel Ring

Finish: US26 Bright Chrome

Cross Reference

Manufacturer	Part Number



Description:

**Towel Ring,
Alexandria**

Part Number:

15703

Date

08/16

Rev.

02

Sheet 1 of 1