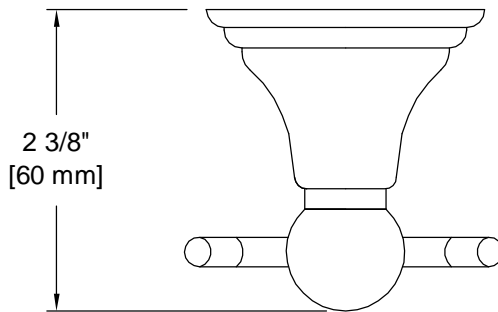
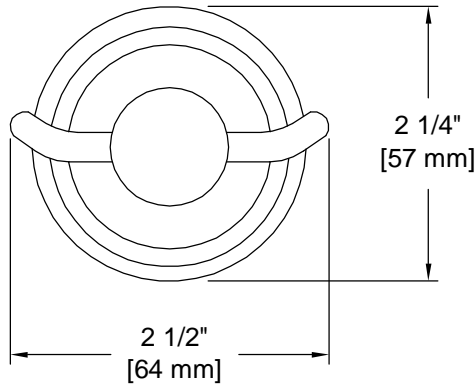


PRODUCT DATA SHEET

Product Description: Robe hook, Alexandria. Fabricated from die cast zinc with a US11P venetian bronze finish. Ships with mounting hardware.



Overall Size: 2 1/2" W X 2 1/4" H X 2 3/8" D

Material: Zinc

Finish: US11P Venetian Bronze

Cross Reference

Manufacturer	Part Number



Description:

**Robe Hook,
Alexandria**

Part Number:

15709

Date

07/17

Rev.

03

Sheet 1 of 1