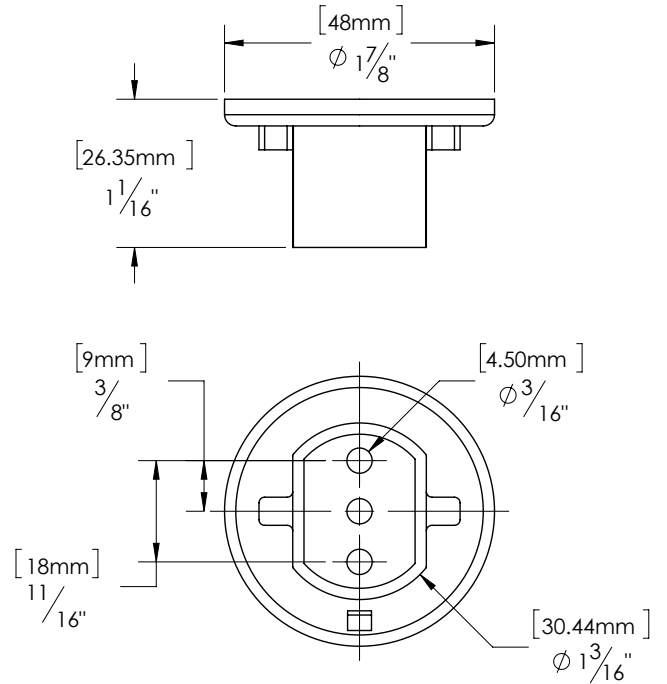
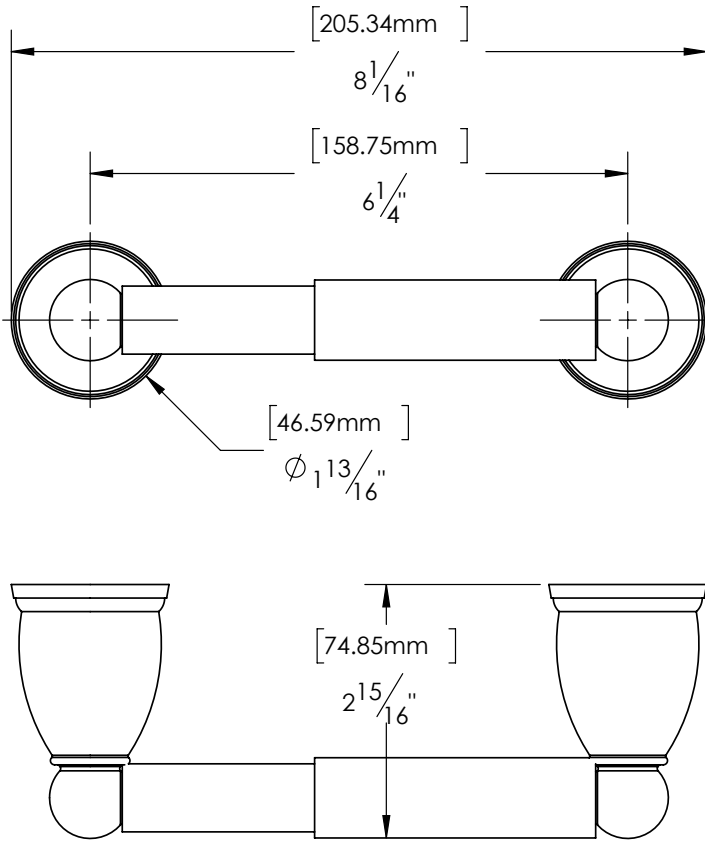


PRODUCT DATA SHEET

Product Description: Surface toilet tissue holder, Austin. Posts are fabricated from die cast zinc with a US15 satin nickel finish. Roller is fabricated from plastic with a US15 satin nickel finish. Comes with fast-fit mounting brackets for quicker installation. Ships with mounting hardware.



Overall Size: 8 1/16" W X 1 13/16" H X 2 15/16" D

Material: Zinc Posts, Plastic Roller

Finish: US15 Satin Nickel

Cross Reference

Manufacturer	Part Number



Description:

**Toilet Tissue Holder,
Surface, Austin**

Part Number:

15810

Date

03/19

Rev.

00

Sheet 1 of 1