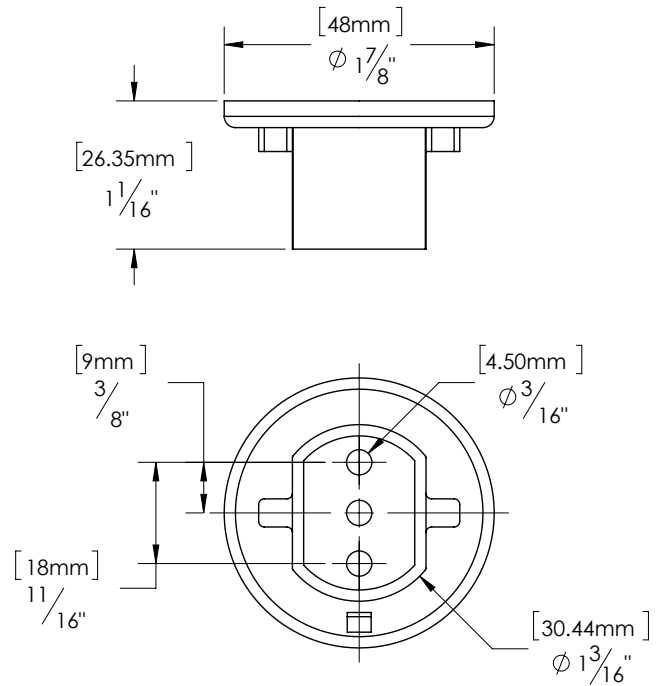
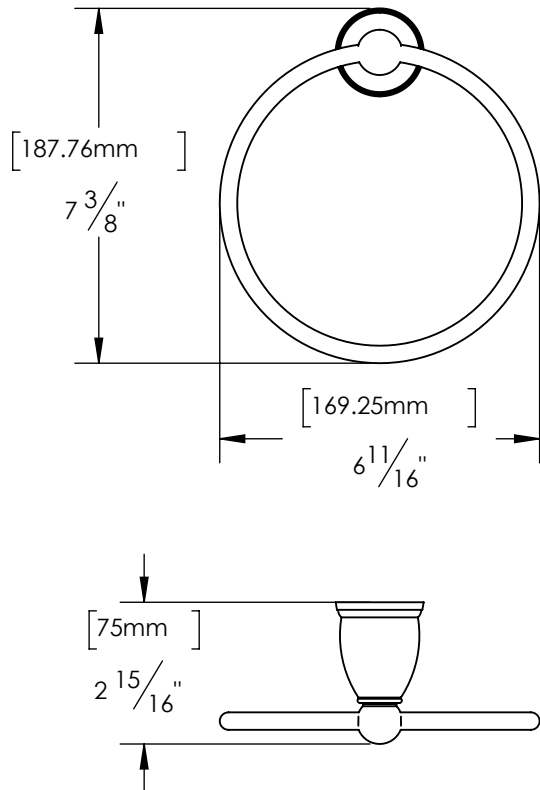


# PRODUCT DATA SHEET

**Product Description:** Towel ring, Austin. Post is fabricated from die cast zinc with a US15 satin nickel finish. Ring is fabricated from stainless steel with a US26 bright chrome finish. Comes with fast-fit mounting bracket for quicker installation. Ships with mounting hardware.



**Overall Size:** 6 11/16" W X 7 3/8" H X 2 15/16" D

**Material:** Zinc Post, Stainless Steel Ring

**Finish:** US26 Bright Chrome

### Cross Reference

Manufacturer	Part Number



Description:

**Towel Ring,  
Austin**

Part Number:

**15819**

Date

03/19

Rev.

00

Sheet 1 of 1