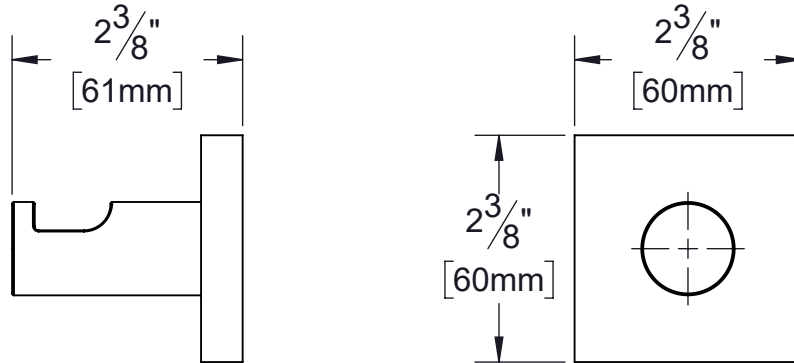


PRODUCT DATA SHEET

Product Description: Robe hook, Daytona. Fabricated from die cast zinc with a US26 bright chrome finish. Ships with mounting hardware.



Overall Size: 2 3/8" W X 2 3/8" H X 2 3/8" D

Material: Zinc

Finish: US26 Bright Chrome

Cross Reference

Manufacturer	Part Number



Description:

**Robe Hook,
Daytona**

Part Number:

15825

Date

02/19

Rev.

00