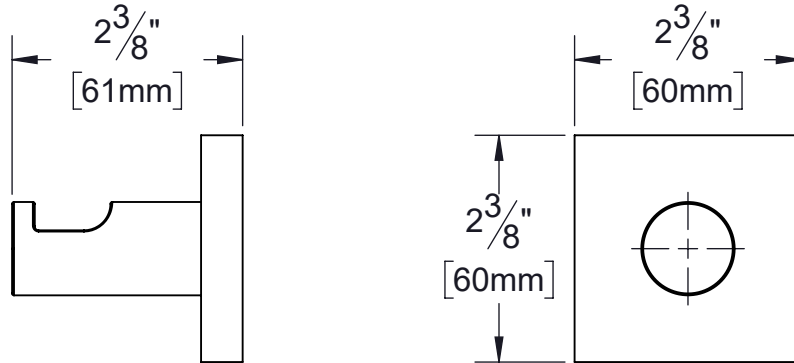


PRODUCT DATA SHEET

Product Description: Robe hook, Daytona. Fabricated from die cast zinc with a US19 matte black finish. Ships with mounting hardware.



Overall Size: 2 3/8" W X 2 3/8" H X 2 3/8" D

Material: Zinc

Finish: US19 Matte Black

Cross Reference

Manufacturer	Part Number



Description:

**Robe Hook,
Daytona**

Part Number:

15835

Date

04/21

Rev.

00