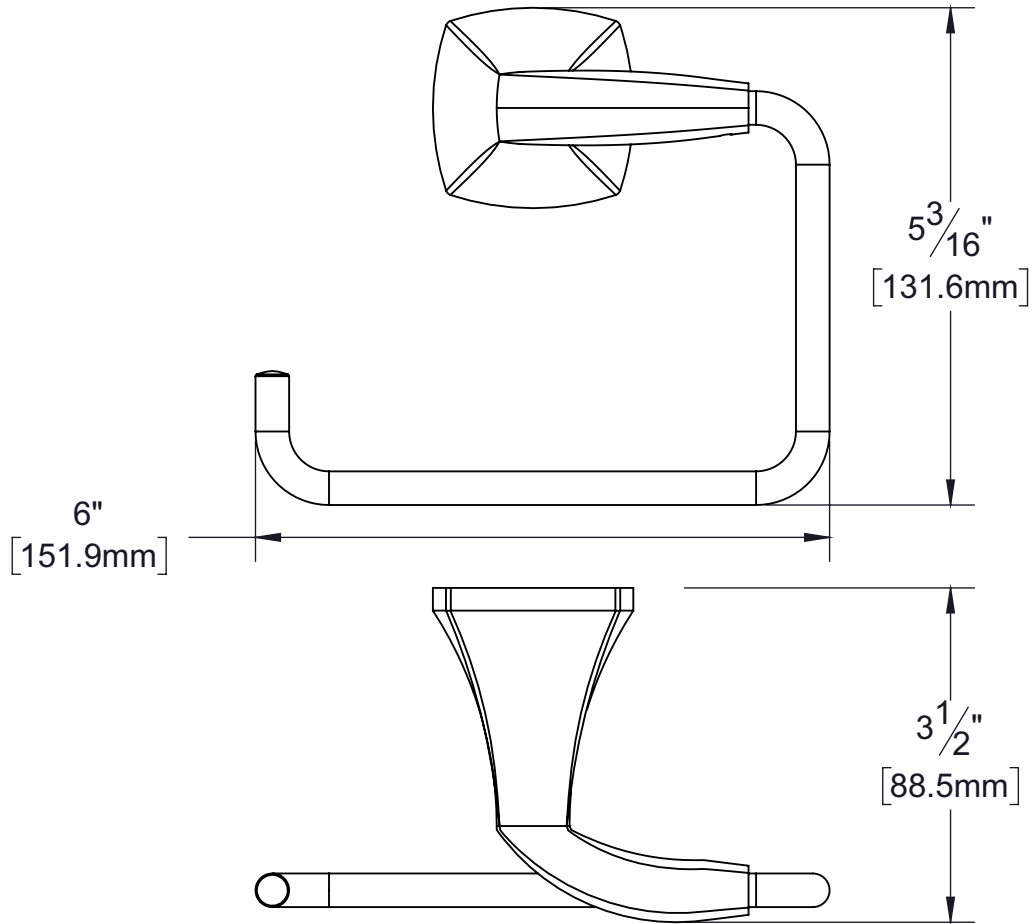


# PRODUCT DATA SHEET

**Product Description:** Towel ring, Wynwood. Post is fabricated from die cast zinc with a US15 satin nickel finish. Ring is fabricated from stainless steel with a US15 satin nickel finish. Ships with mounting hardware.



**Overall Size:** 6" W X 5 3/16" H X 3 1/2" D

**Material:** Zinc Post, Stainless Steel Ring

**Finish:** US15 Satin Nickel

**Cross Reference**

| Manufacturer | Part Number |
|--------------|-------------|
|              |             |
|              |             |
|              |             |



Description:

**Towel Ring,  
Wynwood**

Part Number:

**25109**

Date

**07/17**

Rev.

**01**