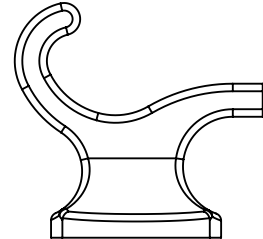
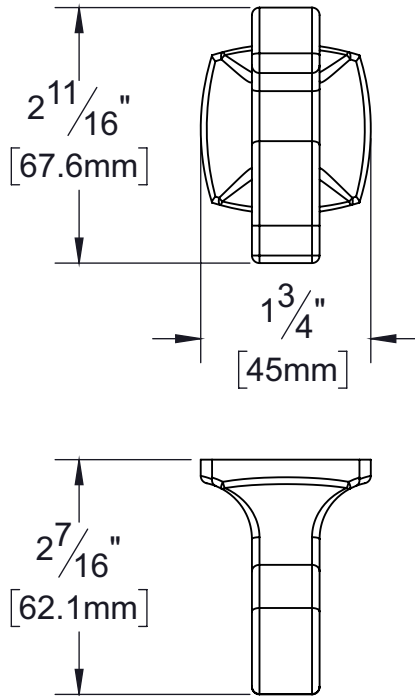


# PRODUCT DATA SHEET

**Product Description:** Robe hook, Wynwood. Fabricated from die cast zinc with a US11P venetian bronze finish. Ships with mounting hardware.



**Overall Size:** 1 3/4" W X 2 11/16" H X 2 7/16" D

**Material:** Zinc

**Finish:** US11P Venetian Bronze

**Cross Reference**

Manufacturer	Part Number



Description:

**Robe Hook,  
Wynwood**

Part Number:

**25110**

Date

**07/17**

Rev.

**01**