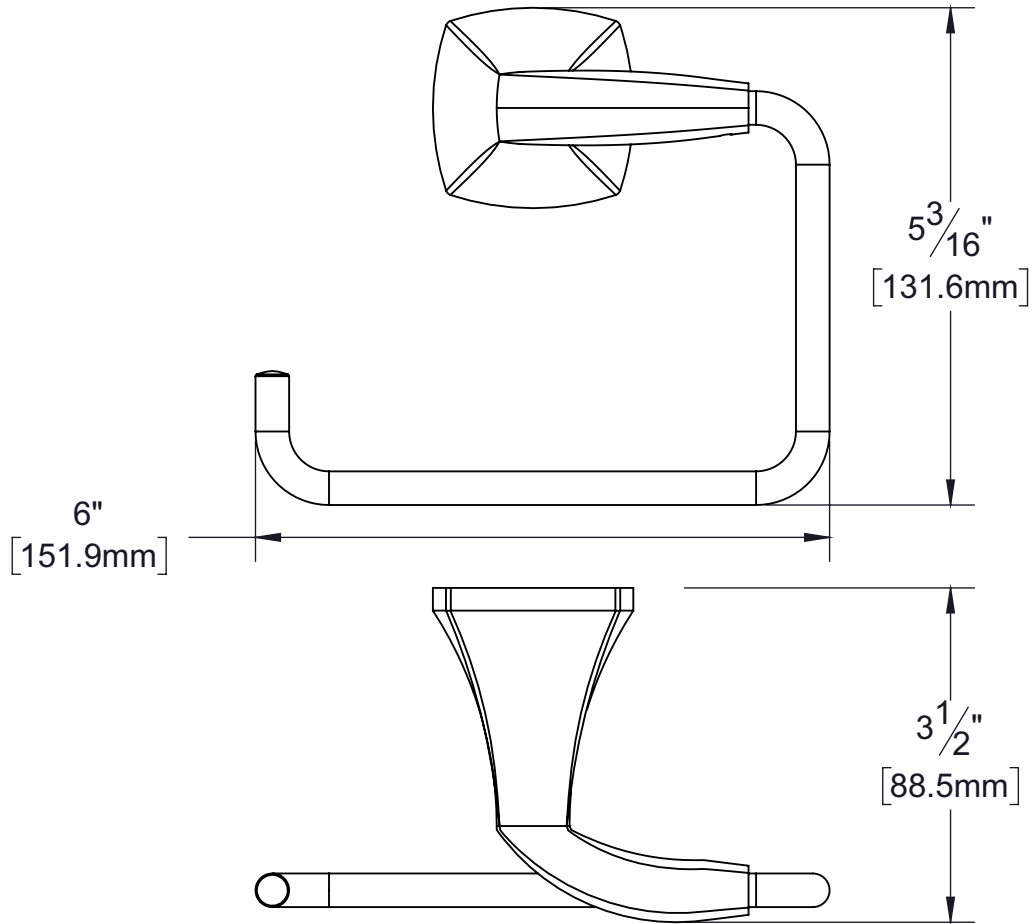


# PRODUCT DATA SHEET

**Product Description:** Towel ring, Wynwood. Post is fabricated from die cast zinc with a US11P venetian bronze finish. Ring is fabricated from stainless steel with a US11P venetian bronze. Ships with mounting hardware.



**Overall Size:** 6" W X 5 3/16" H X 3 1/2" D

**Material:** Zinc Post, Stainless Steel Ring

**Finish:** US11P Venetian Bronze

### Cross Reference

Manufacturer	Part Number



Description:

## Towel Ring, Wynwood

Part Number:

# 25114

Date

07/17

Rev.

01