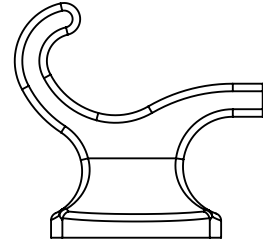
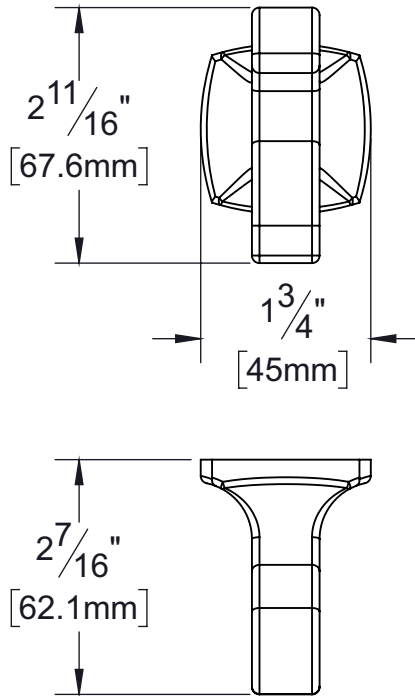


PRODUCT DATA SHEET

Product Description: Robe hook, Wynwood. Fabricated from die cast zinc with a US19 matte black finish. Ships with mounting hardware.



Overall Size: 1 3/4" W X 2 11/16" H X 2 7/16" D

Material: Zinc

Finish: US19 Matte Black

Cross Reference

Manufacturer	Part Number



Description:

Robe Hook, Wynwood

Part Number:

25115

Date

03/19

Rev.

01