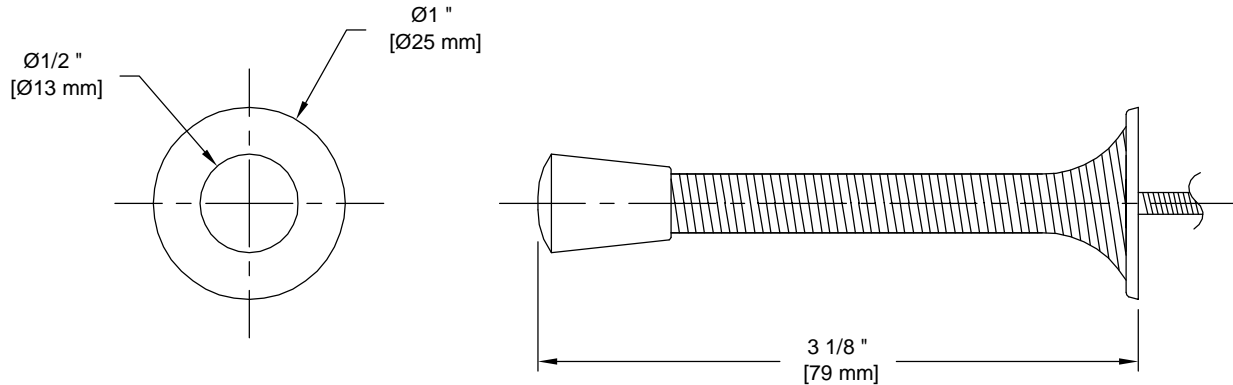


# PRODUCT DATA SHEET

**Product Description:** Spring door stop, 3 1/8", heavy duty. Fabricated from steel with a US3 polished brass finish. Ships with mounting hardware.



**Overall Size:** 1" W X 1" H X 3 1/8" D

**Material:** Steel

**Finish:** US3 Polished Brass

### Cross Reference

Manufacturer	Part Number



Description:

**Spring Door Stop,  
3 1/8", Heavy Duty**

Part Number:

**30613**

Date

06/16

Rev.

04

Sheet 1 of 1