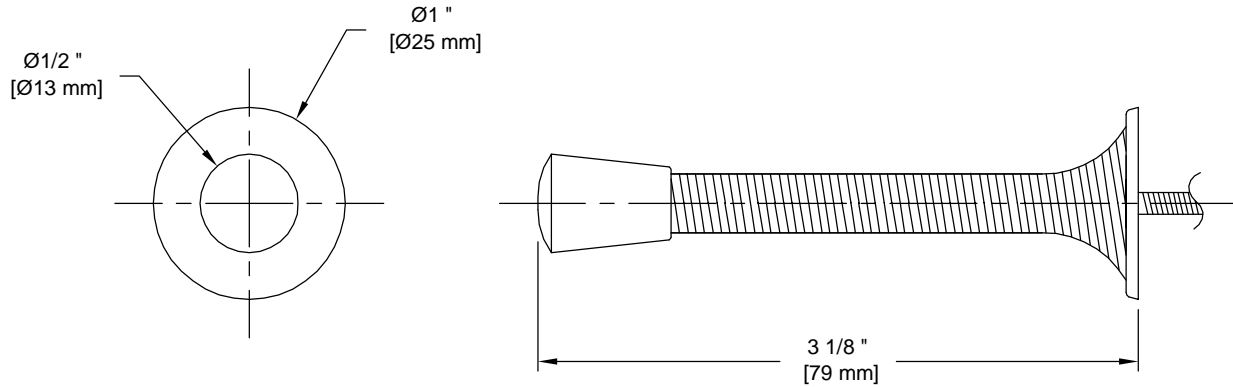


PRODUCT DATA SHEET

Product Description: Spring door stop, 3 1/8", heavy duty. Fabricated from steel with a US15 satin nickel finish. Ships with mounting hardware.



Overall Size: 1" W X 1" H X 3 1/8" D

Material: Steel

Finish: US15 Satin Nickel

Cross Reference

Manufacturer	Part Number



Description:

**Spring Door Stop,
3 1/8", Heavy Duty**

Part Number:

30619

Date

06/16

Rev.

04

Sheet 1 of 1