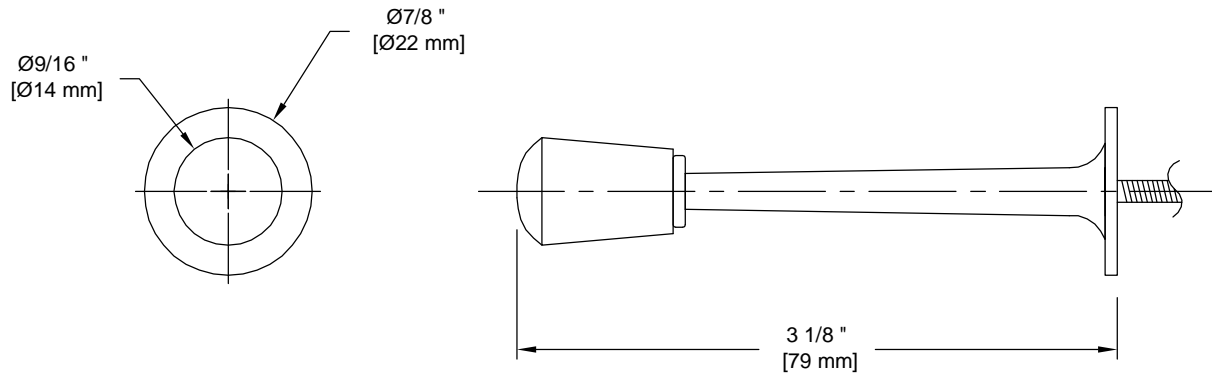


# PRODUCT DATA SHEET

**Product Description:** Cast door stop, 3 1/8". Fabricated from zinc with a US15 satin nickel finish. Ships with mounting hardware.



**Overall Size:** 7/8" W X 7/8" H X 3 1/8" D

**Material:** Zinc

**Finish:** US15 Satin Nickel

### Cross Reference

Manufacturer	Part Number



Description:

**Cast Door Stop,  
Zinc, 3 1/8"**

Part Number:

**30652**

Date

06/16

Rev.

04

Sheet 1 of 1