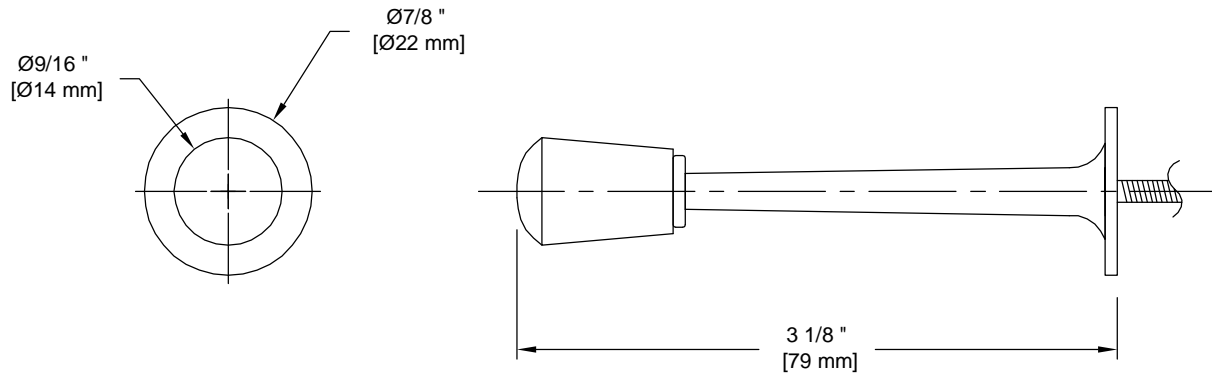


PRODUCT DATA SHEET

Product Description: Cast door stop, 3 1/8". Fabricated from zinc with a US10B oil rubbed bronze finish. Ships with mounting hardware.



Overall Size: 7/8" W X 7/8" H X 3 1/8" D

Material: Zinc

Finish: US10B Oil Rubbed Bronze

Cross Reference

Manufacturer	Part Number



Description:

**Cast Door Stop,
Zinc, 3 1/8"**

Part Number:

30654

Date

06/16

Rev.

05

Sheet 1 of 1