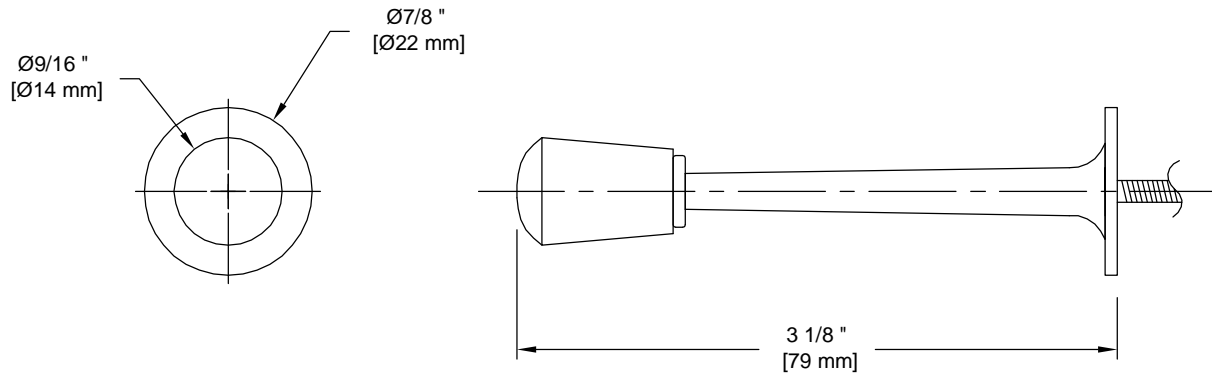


PRODUCT DATA SHEET

Product Description: Cast door stop, 3 1/8". Fabricated from zinc with a US19 matte black finish. Ships with mounting hardware.



Overall Size: 7/8" W X 7/8" H X 3 1/8" D

Material: Zinc

Finish: US19 Matte Black

Cross Reference

| Manufacturer | Part Number |
|--------------|-------------|
| | |
| | |
| | |



Description:

**Cast Door Stop,
Zinc, 3 1/8"**

Part Number:

30657

Date

03/19

Rev.

00

Sheet 1 of 1