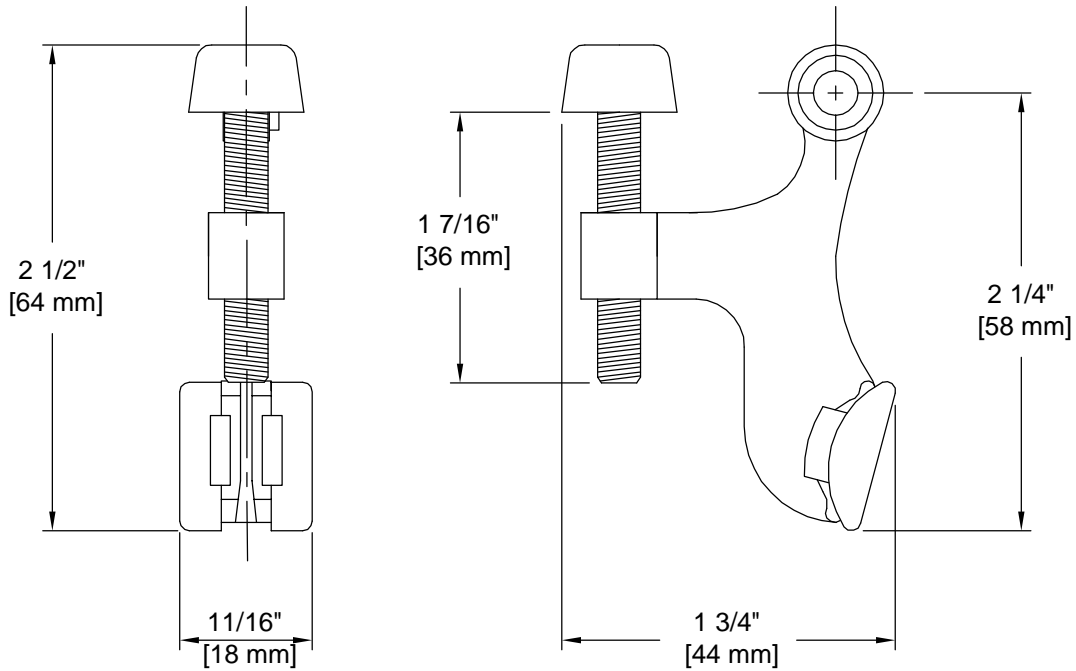


PRODUCT DATA SHEET

Product Description: Door stop hinge pin, type 2. Fabricated from zinc with a US26 bright chrome finish.



Overall Size: 11/16" W X 2 1/2" H X 1 3/4" D

Material: Zinc

Finish: US26 Bright Chrome

Cross Reference

Manufacturer	Part Number



Description:

Hinge Pin Door Stop, Type 2

Part Number:

30678

Date

06/16

Rev.

02

Sheet 1 of 1