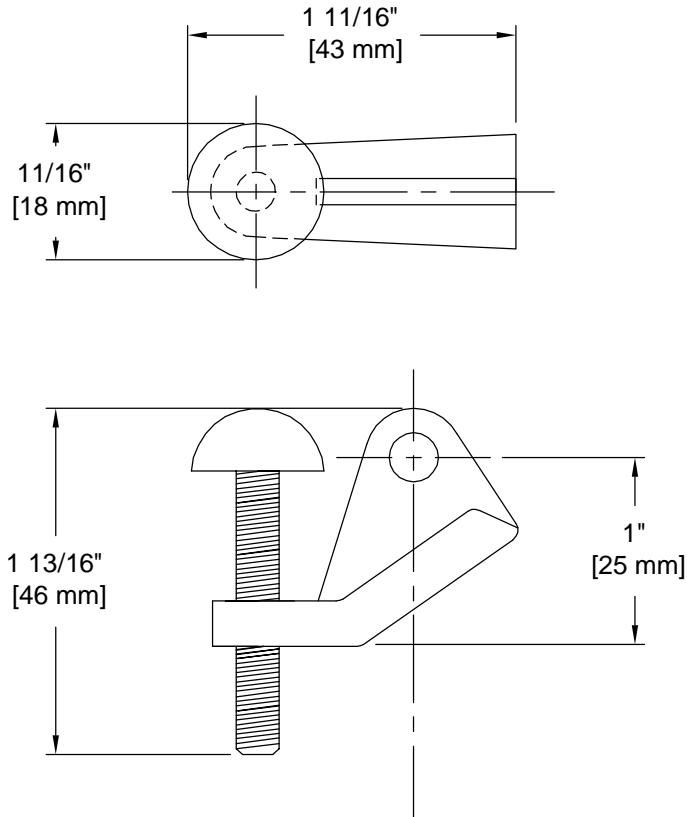


PRODUCT DATA SHEET

Product Description: Hinge pin door stop. Fabricated from zinc with a US26 bright chrome finish.



Overall Size: 1 1/16" W X 1 13/16" H X 1 11/16" D

Material: Zinc

Finish: US26 Bright Chrome

Cross Reference

Manufacturer	Part Number



Description:

Hinge Pin Door Stop

Part Number:

30691

Date

06/16

Rev.

02

Sheet 1 of 1