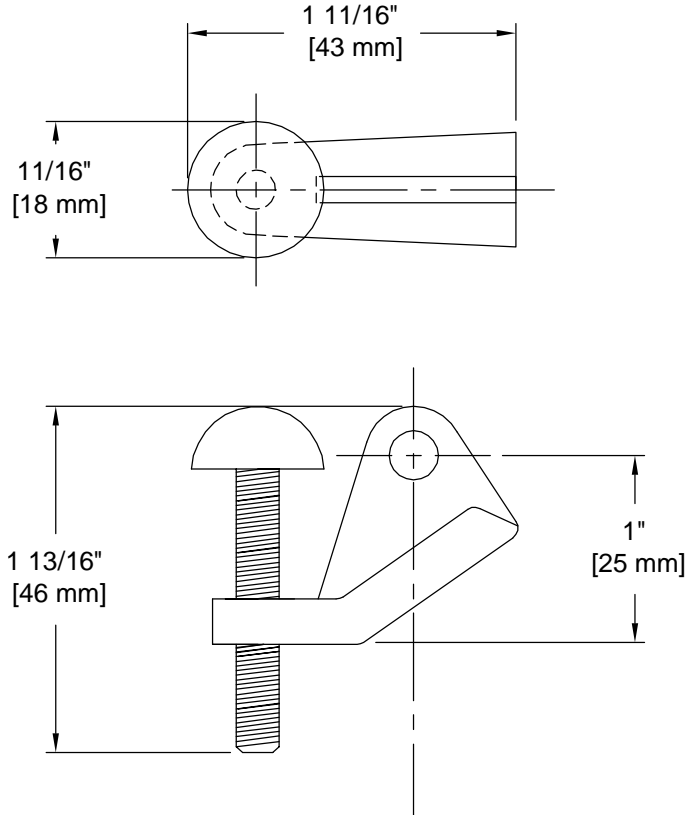


# PRODUCT DATA SHEET

**Product Description:** Hinge pin door stop. Fabricated from zinc with a US15 satin nickel finish.



**Overall Size:** 1 1/16" W X 1 13/16" H X 1 11/16" D

**Material:** Zinc

**Finish:** US15 Satin Nickel

### Cross Reference

Manufacturer	Part Number



Description:

## Hinge Pin Door Stop

Part Number:

# 30693

Date

06/16

Rev.

02

Sheet 1 of 1