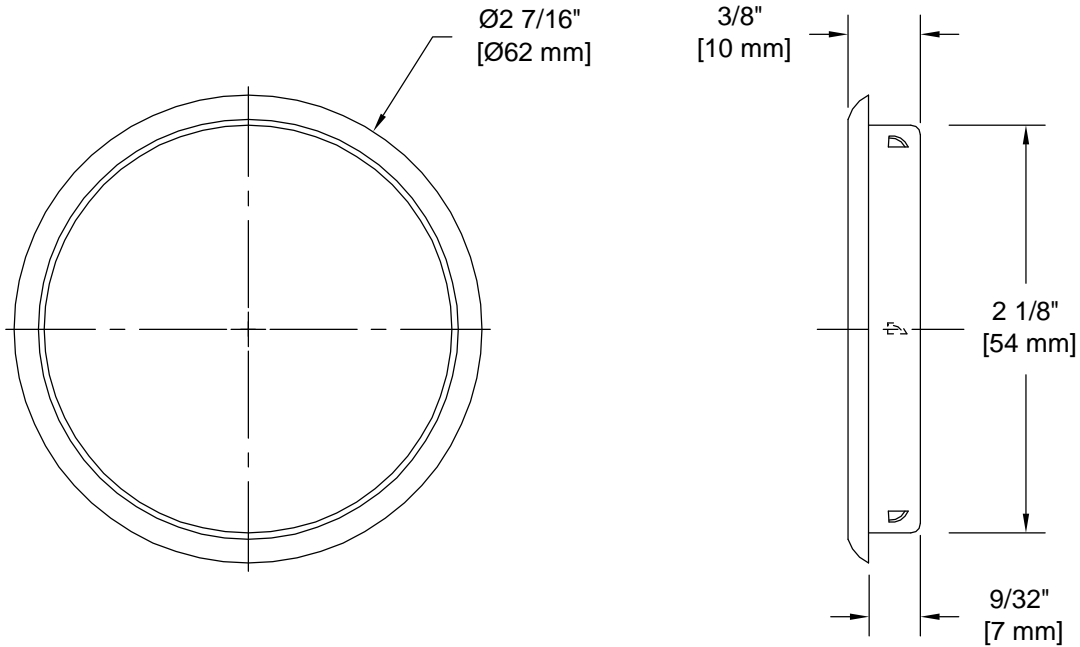


PRODUCT DATA SHEET

Product Description: Finger pull, steel, circular, 2 1/8" diameter. Fabricated from steel with a US26 bright chrome finish. Held in place by three tangs.



Overall Size: 2 7/16" W X 2 7/16" H X 3/8" D

Material: Steel

Finish: US26 Bright Chrome

Cross Reference

Manufacturer	Part Number



Description:

**Finger Pull, Steel,
Circular, 2 1/8" Diameter**

Part Number:

36032

Date

06/16

Rev.

03

Sheet 1 of 1