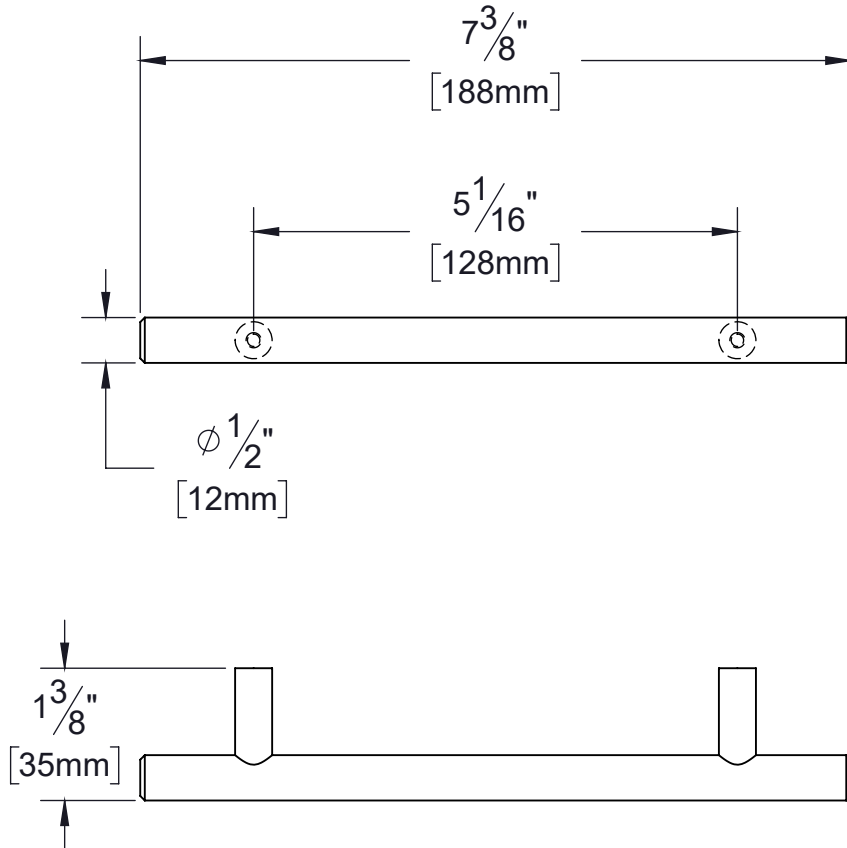


PRODUCT DATA SHEET

Product Description: Decorative bar pull perfect for kitchen or bath cabinets. 5 1/16" center to center. Fabricated from solid steel with a US15 satin nickel finish. Individually packaged with mounting screws. Individually packaged with 1" length and 1 3/8" length (M4x0.7) mounting screws.



Overall Size: 7 3/8" W X 1/2" H X 1 3/8" D	
Material: Solid Steel	
Finish: US15 Satin Nickel	
Cross Reference	
Manufacturer	Part Number



Description:
**Bar Pull, Zinc,
 5 1/16" Center To Center**

Part Number: 36288	<small>Date</small> 09/20	<small>Rev.</small> 01
	<small>Sheet 1 of 1</small>	