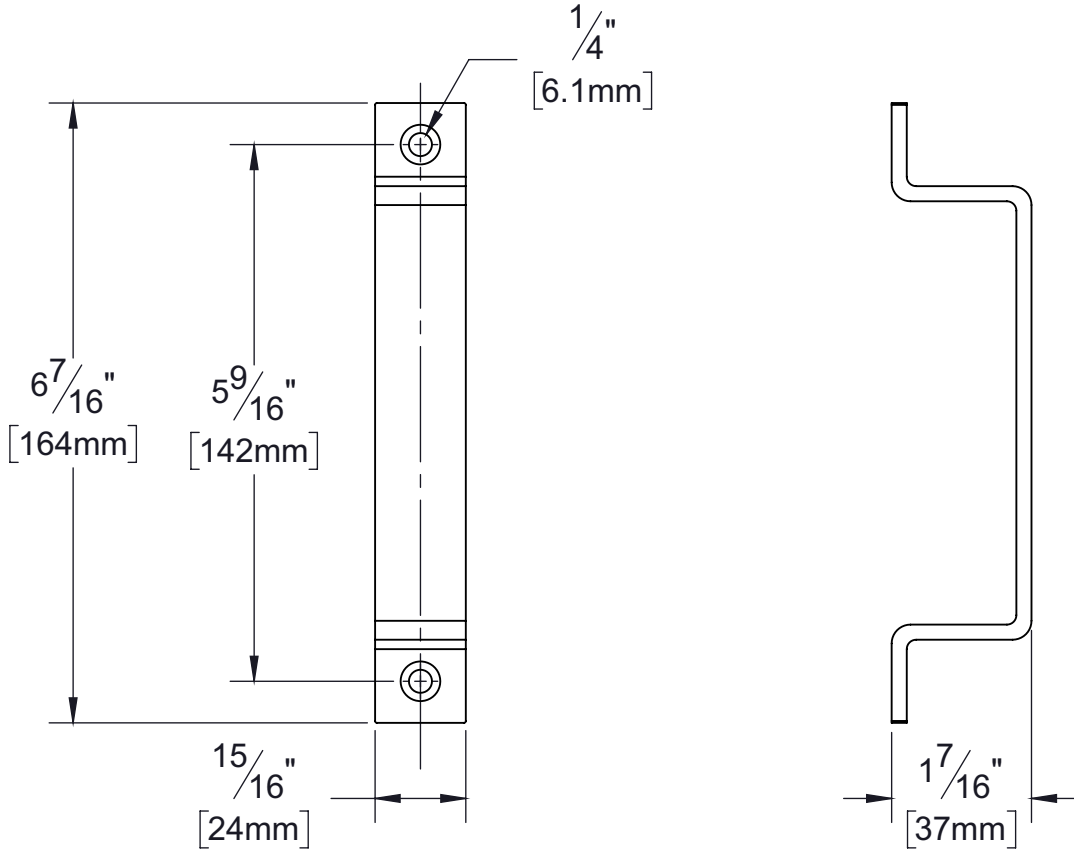


# PRODUCT DATA SHEET

**Product Description:** Barn door pull handle, 5 7/16 in. center to center. Fabricated from heavy gauge steel with a matte black finish.



**Overall Size:** 15/16" W X 6 7/16" H X 1 7/16" D

**Material:** Steel

**Finish:** Matte Black Finish

### Cross Reference

Manufacturer	Part Number



Description:

**Barn Door Pull Handle,  
5 7/16 In. Center To Center**

Part Number:

36320

Date

11/17

Rev.

00