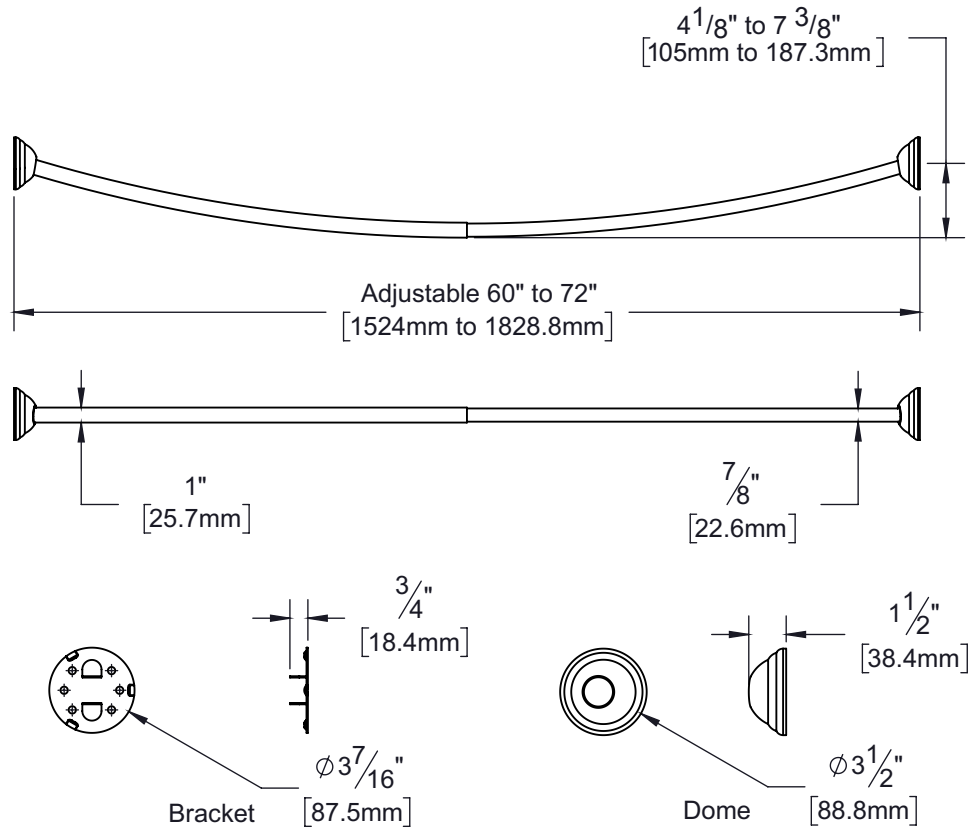


# PRODUCT DATA SHEET

**Product Description:** Stainless steel curved shower curtain rod, length adjusts from 5' to 6'. Rod is a 1" diameter. Shower rod and flanges are fabricated from stainless steel with a US32 polished stainless steel finish. Used for standard or oval 5' to 6' tubs and adjusts from 54" to 72" wide. Mounting hardware for both drywall and tile installation included.



**Overall Size:** 72" W X 3 1/2" H X 7 3/8" D

**Material:** Stainless Steel

**Finish:** US32 Polished Stainless Steel

### Cross Reference

Manufacturer	Part Number



Description:  
**Curved Shower Rod,  
 Stainless Steel,  
 Adjustable, 5' To 6'**

Part Number: <b>5146108</b>	Date: 11/18	Rev.: 02
Sheet 1 of 1		