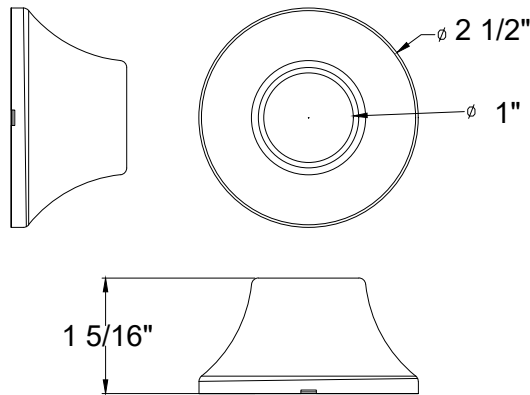
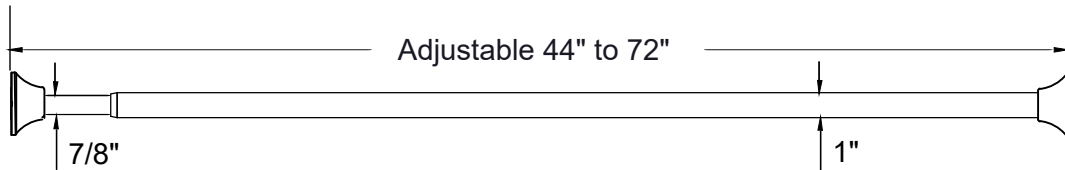


PRODUCT DATA SHEET

Product Description: Stainless steel adjustable tension shower curtain rod, round escutcheon. Length adjusts from 44" to 72". Rod is a 1" diameter. Twist and lock design allows quickly installation without drilling holes in the wall. Shower rod and flanges are fabricated from stainless steel with a US32D satin stainless steel finish. Used for standard 5' to 6' tubs.



Overall Size: 72" W X 1 5/16" H X 2 1/2" D

Material: Stainless Steel

Finish: US32D Satin Stainless Steel

Cross Reference

Manufacturer	Part Number



Description:
Straight Tension Shower Rod, Stainless Steel, Adjustable, 5' To 6'

Part Number:	Date	Rev.
51472	5/21	00
Sheet 1 of 1		