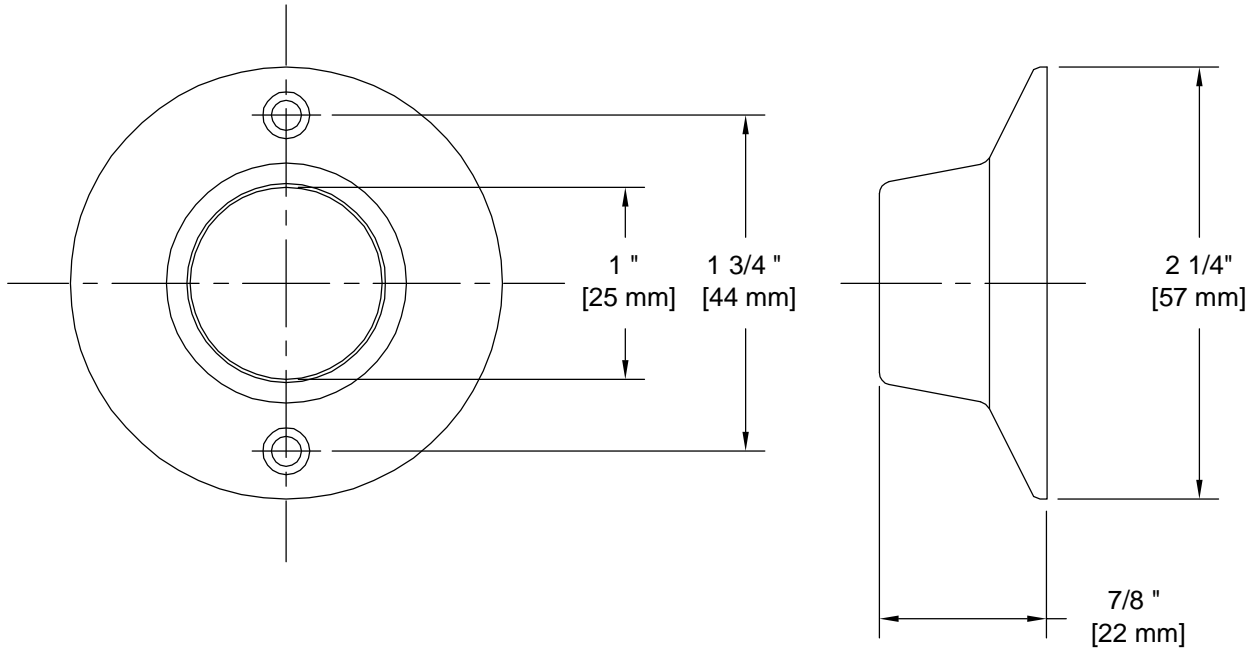


# PRODUCT DATA SHEET

**Product Description:** Shower rod flanges with a US15 satin nickel finish. Shower rod flange is fabricated from zinc. Accepts 1" outside diameter shower curtain rods. Mounting hardware included.



**Overall Size:** 2 1/4" W X 2 1/4" H X 7/8" D

**Material:** Zinc

**Finish:** US15 Satin Nickel

### Cross Reference

Manufacturer	Part Number



Description:

**Shower Rod Flanges,  
Zinc**

Part Number:

53370

Date

04/19

Rev.

00

Sheet 1 of 1