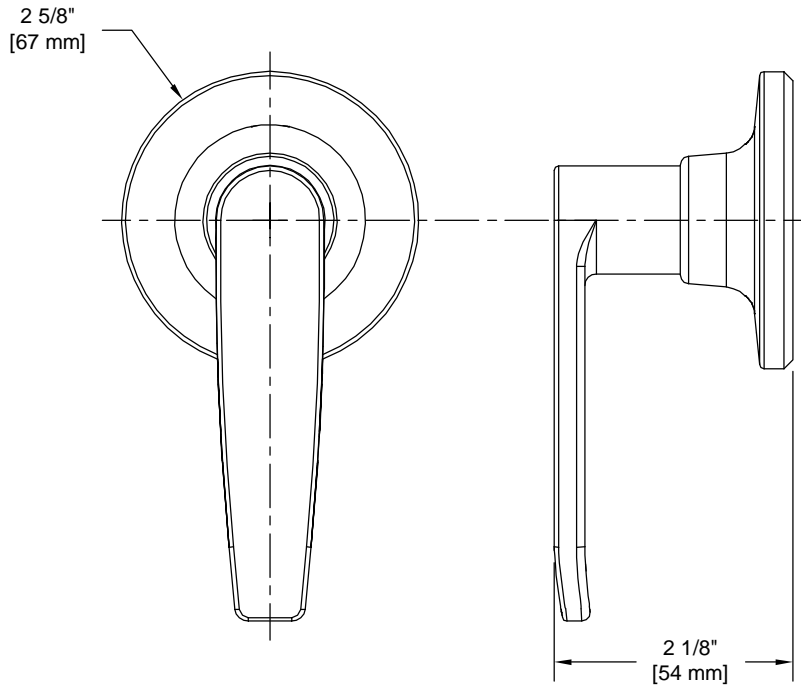


# PRODUCT DATA SHEET

**Product Description:** Dummy door lever, reversible. Fabricated from die cast zinc with a US15 satin nickel finish. Product does not turn or perform a function other than for decorative purposes or as a pull. Surface mounted with 2 exposed mounting screws. Door thickness should be greater than 1+. Ships with mounting hardware.



**Overall Size:** 4 13/16" W X 2 5/8" H X 2 1/8" D

**Material:** Die Cast Zinc

**Finish:** US15 Satin Nickel

### Cross Reference

Manufacturer	Part Number



Description:

**Lock Lever, Dummy, Reversible, Electra**

Part Number:

**86028**

Date

09/16

Rev.

02

Sheet 1 of 1