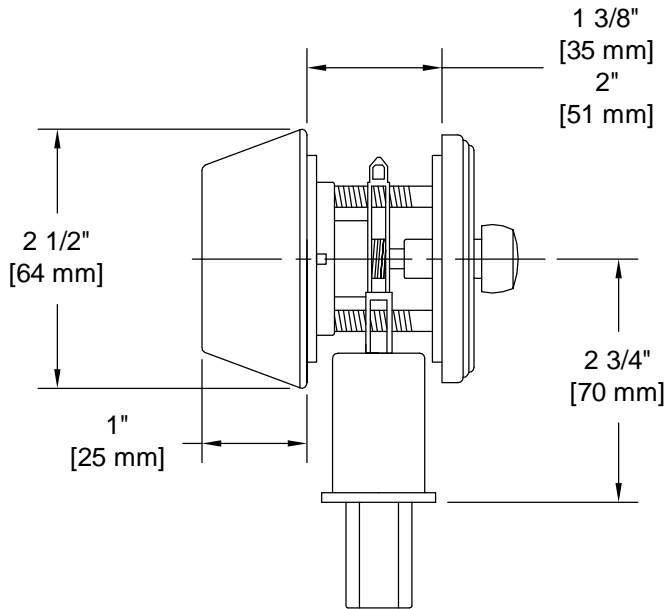


# PRODUCT DATA SHEET

**Product Description:** ANSI Grade 2 commercial single cylinder deadbolt. Schlage "SC 4 Keyway". Latch case and mechanism are fabricated from steel. Thumb turn and escutcheon are fabricated from forged brass in a US10B oil rubbed bronze finish. Locked or unlocked by key outside or center turn piece inside. UL10C 3 hour fire rated. Ships with mounting hardware. 2 3/8" latch (product #CDLB60MM) sold separately.



**Door Prep:** Cross Bore 2 1/8+, Edge Bore 1+, Latch Face 1 1/8+x 2 1/4+  
**Backset:** 2 3/4+  
**Door Thickness:** Standard Doors 1 3/8+to 2+  
**Cylinder:** 6-Pin Removable Core  
**Strike Plate:** 2 3/4" Square Corner Standard  
**Bolt:** 1" Throw, Nickel Plated  
**ANSI/BHMA:** A156.5 Grade 2

**REKEY OPTIONAL**



**Overall Size:** 2 1/2" W X 2 1/2" H X 1" D

**Material:** Brass Thumb Turn/Escutcheon, Steel Latch Case/Mechanism

**Finish:** US10B Oil Rubbed Bronze

**Cross Reference**

Manufacturer	Part Number



Description:  
**Dead Bolt, Single Cylinder, Schlage "SC 4", UL 10C, ANSI Grade 2**

Part Number:	<b>86532</b>	Date	11/16	Rev.	01
Sheet 1 of 1					