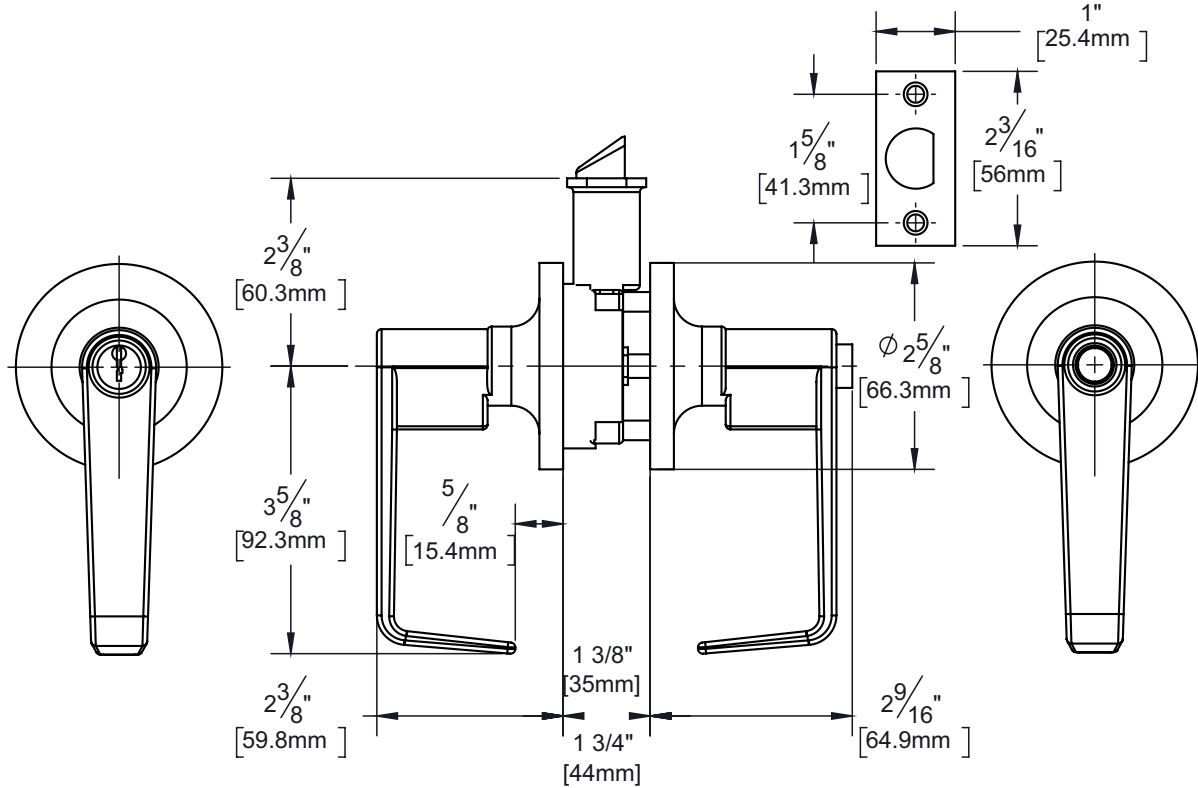


PRODUCT DATA SHEET

Product Description: Lock lever, entry, reversible, Schlage "SC 1 Keyway", ANSI Grade 2. Handles are fabricated from zinc and escutcheon is fabricated from stainless steel in a US11P venetian bronze finish. The outside lever is locked or unlocked by key. Pushing button in inside lever locks outside lever. Inside lever is always unlocked providing emergency exit. ADA compliant. UL10C 3 hour fire rated. Ships with mounting hardware.



Door Prep: Cross Bore 2 1/8", Edge Bore 1", Mortise Latch Face 1" x 2 1/4"

Latches: Ships With Mortise Latch As Shown Above

Backset: Adjustable Latch to 2 3/8" or 2 3/4"

Door Thickness: Fit all 1 3/8" - 1 3/4" Standard Doors

Cylinder: Brass with 5 Pin Tumbler Schlage SC 1 Keyway

Strike Plate: 2 1/4" Full Lip Strike

Bolt: 1/2" Throw

ANSI/BHMA: A156.2 Grade 2

REKEY OPTIONAL



Overall Size: 6 13/32" W X 3 11/32" H X 3 1/8" D

Material: Zinc Handles, Stainless Steel Escutcheon

Finish: US11P Venetian Bronze

Cross Reference

Manufacturer	Part Number



Description:

**Lock Lever, Entry, Reversible,
Schlage "SC 1", UL 10C, ANSI
Grade 2**

Part Number:

86600

Date

09/17

Rev.

00

Sheet 1 of 1