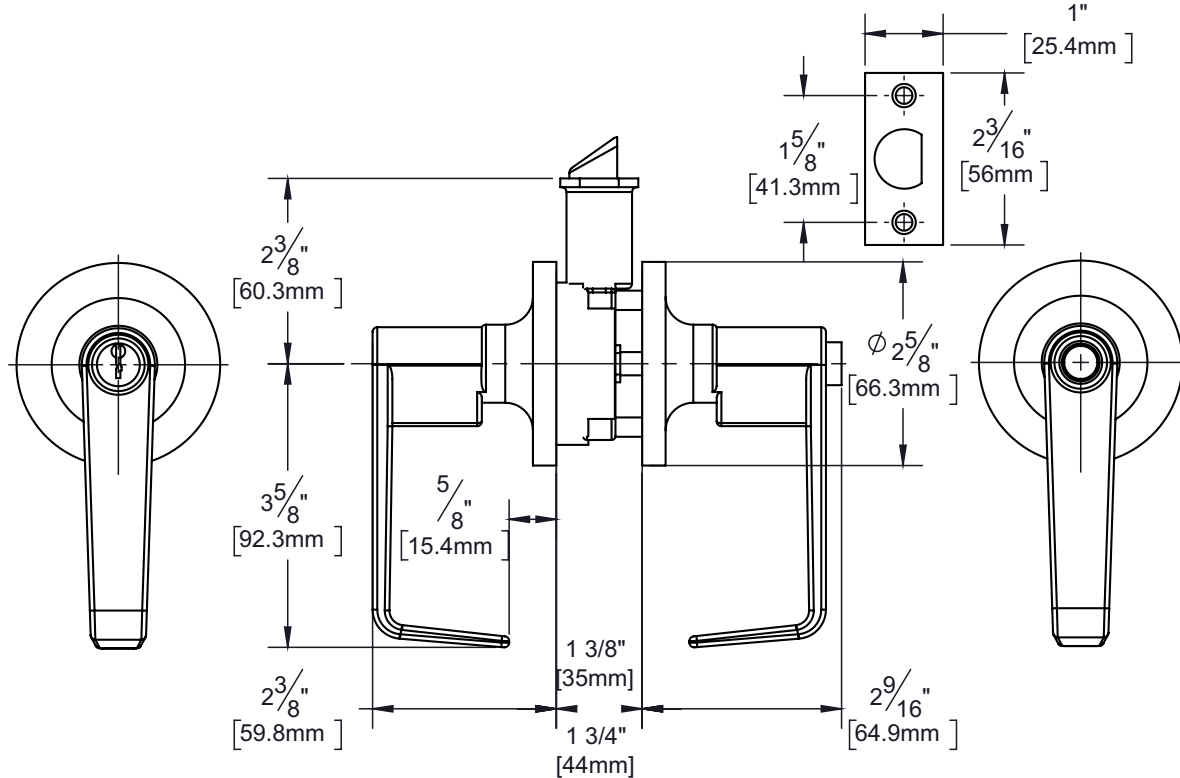


PRODUCT DATA SHEET

Product Description: Lock lever, entry, reversible, Schlage "SC 1 Keyway", ANSI Grade 2. Handles are fabricated from zinc and escutcheon is fabricated from stainless steel in a US 26D satin chrome finish. The outside lever is locked or unlocked by key. Pushing button in inside lever locks outside lever. Inside lever is always unlocked providing emergency exit. ADA compliant. UL10C 3 hour fire rated. Ships with mounting hardware.



Door Prep: Cross Bore 2 1/8", Edge Bore 1", Mortise Latch Face 1" x 2 1/4"
Latches: Ships With Mortise Latch As Shown Above
Backset: Adjustable Latch to 2 3/8" or 2 3/4"
Door Thickness: Fit all 1 3/8" - 1 3/4" Standard Doors
Cylinder: Brass with 5 Pin Tumbler Schlage SC 1 Keyway
Strike Plate: 2 1/4" Full Lip Strike

Bolt: 1/2" Throw
ANSI/BHMA: A156.2 Grade 2

REKEY OPTIONAL



Overall Size: 6 13/32" W X 3 11/32" H X 3 1/8" D

Material: Zinc Handles, Stainless Steel Escutcheon

Finish: US26D Satin Chrome

Cross Reference

Manufacturer	Part Number



Description:

**Lock Lever, Entry, Reversible,
 Schlage "SC 1", UL 10C, ANSI
 Grade 2**

Part Number:

86601

Date

09/17

Rev.

00

Sheet 1 of 1