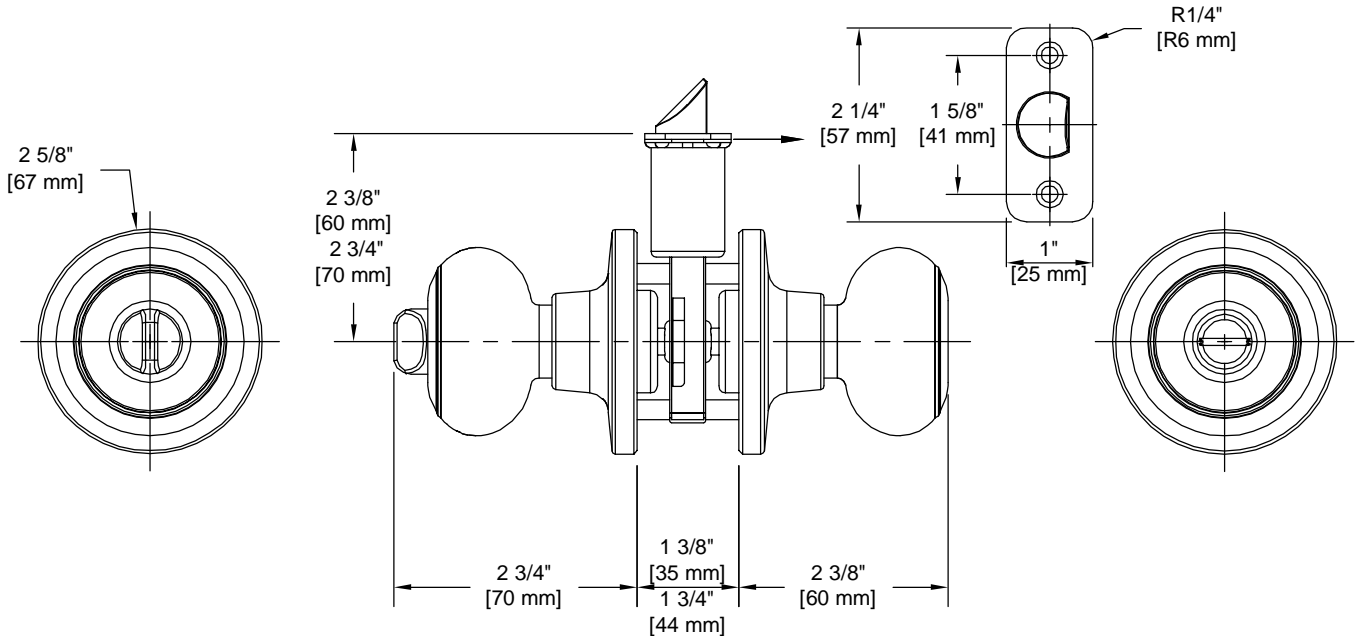


PRODUCT DATA SHEET

Product Description: Privacy lock knob. ANSI Grade 3. Fabricated from stainless steel with US15 satin nickel finish. Locked or unlocked by a turn button inside. Ships with mounting hardware. Lock ships with mortise latch. Optional drive in latch (product #87394) and UL10C fire rated latch (product #87373) available.



Door Prep: Cross Bore 2 1/8+, Edge Bore 1+, Mortise Latch Face 1+x 2 1/4+, Optional Drive In Latch 1" Diameter Drilled Hole
Latches: Ships With Mortise Latch As Shown Above. Optional Drive In Or UL10C Fire Rated Latches Available
Backset: Adjustable Latch to 2 3/8+or 2 3/4+
Door Thickness: Fit all 1 3/8+- 1 3/4+Standard Doors
Strike Plate: 2 1/4+Full Lip Strike
Bolt: 1/2+Throw



Overall Size: 2 5/8" W X 2 5/8" H X 2 3/4" D

Material: Stainless Steel

Finish: US15 Satin Nickel

Cross Reference

Manufacturer	Part Number



Description:

**Privacy Knob, Callista,
ANSI Grade 3**

Part Number:

87318

Date

0622

Rev.

04

Sheet 1 of 1