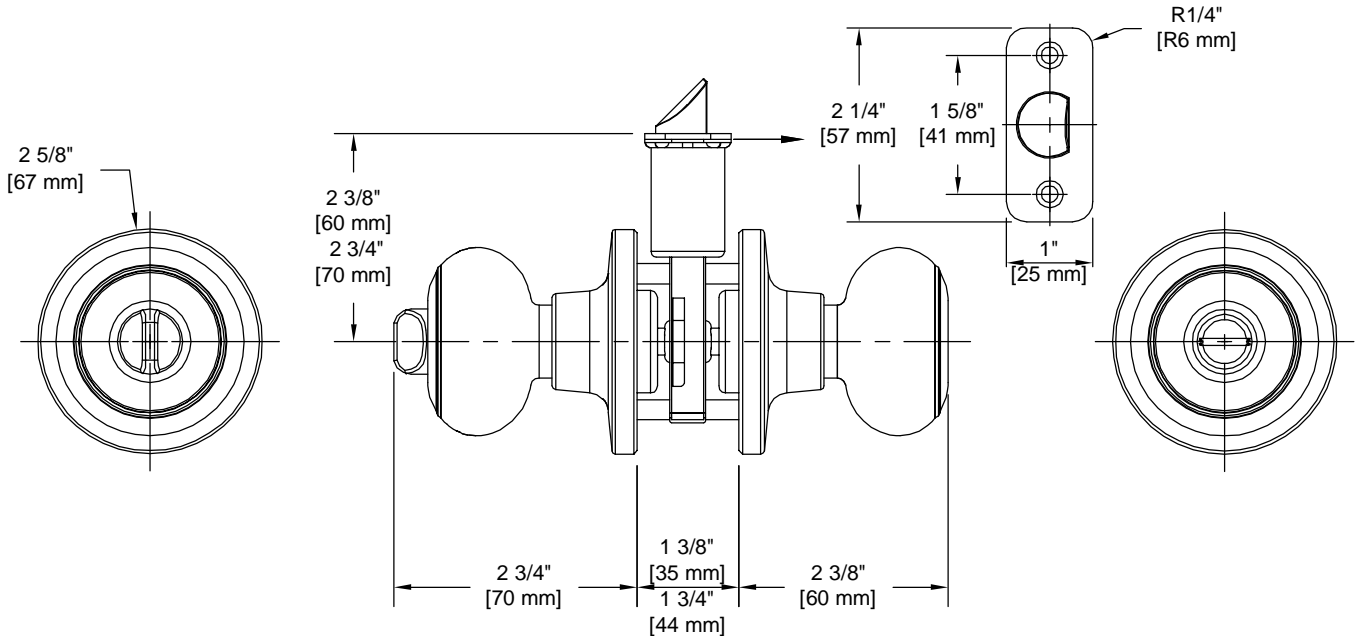


PRODUCT DATA SHEET

Product Description: Privacy lock knob. ANSI Grade 3. Fabricated from zinc with Venetian bronze finish. Locked or unlocked by a turn button inside. Ships with mounting hardware. Lock ships with mortise latch. Optional drive in and UL10C fire rated latches available.



Door Prep: Cross Bore 2 1/8+, Edge Bore 1+, Mortise Latch Face 1+x 2 1/4+, Optional Drive In Latch 1" Diameter Drilled Hole
Latches: Ships With Mortise Latch As Shown Above. Optional Drive In Or UL10C Fire Rated Latches Available
Backset: Adjustable Latch to 2 3/8+ or 2 3/4+
Door Thickness: Fit all 1 3/8+- 1 3/4+ Standard Doors
Strike Plate: 2 1/4+ Full Lip Strike
Bolt: 1/2+ Throw



Overall Size:

Material: Zinc

Finish: Venetian Bronze

Cross Reference

Manufacturer	Part Number



Description:

**Privacy Knob, Callista,
ANSI Grade 3**

Part Number:

87319

Date

09/16

Rev.

03