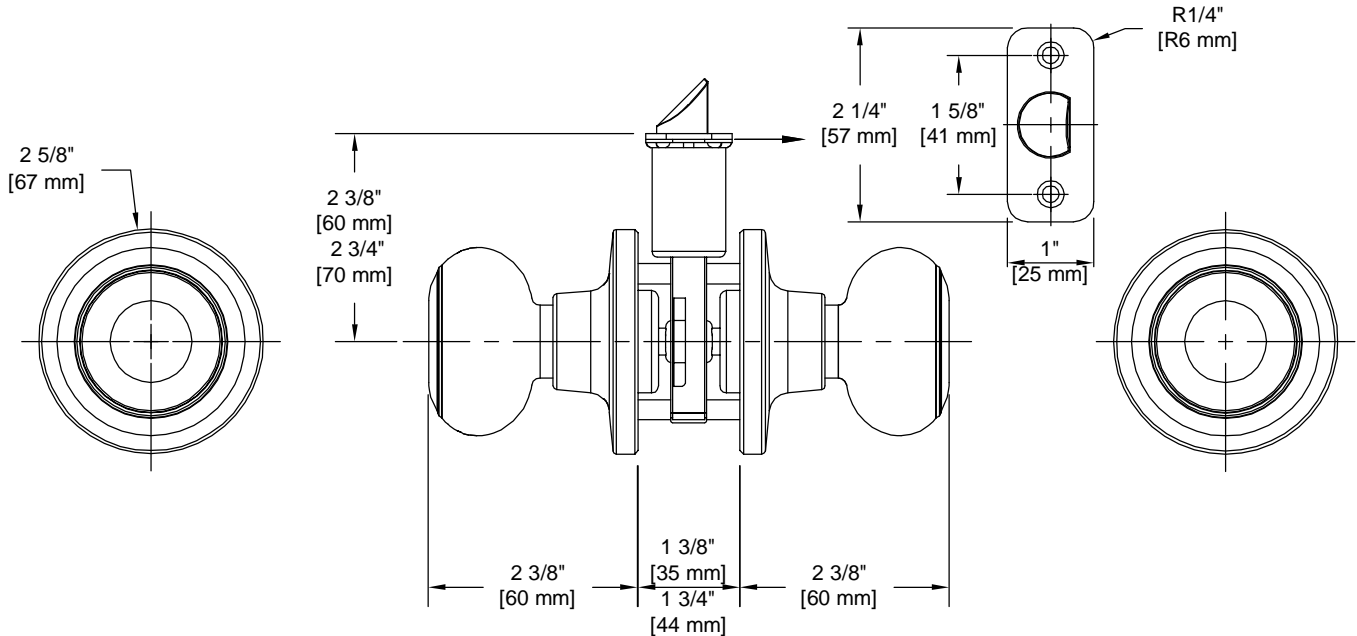


# PRODUCT DATA SHEET

**Product Description:** Passage door knob. ANSI Grade 3. Fabricated from stainless steel with a US15 satin nickel finish. Both knobs are always free. Ships with mounting hardware. Lock ships with mortise latch. Optional drive in latch (product #87394) and UL10C fire rated latch (product #87373) available.



**Door Prep:** Cross Bore 2 1/8+, Edge Bore 1+, Mortise Latch Face 1+x 2 1/4+, Optional Drive In Latch 1" Diameter Drilled Hole

**Latches:** Ships With Mortise Latch As Shown Above. Optional Drive In Or UL10C Fire Rated Latches Available

**Backset:** Adjustable Latch to 2 3/8+ or 2 3/4+

**Door Thickness:** Fit all 1 3/8+- 1 3/4+ Standard Doors

**Strike Plate:** 2 1/4+ Full Lip Strike

**Bolt:** 1/2+ Throw



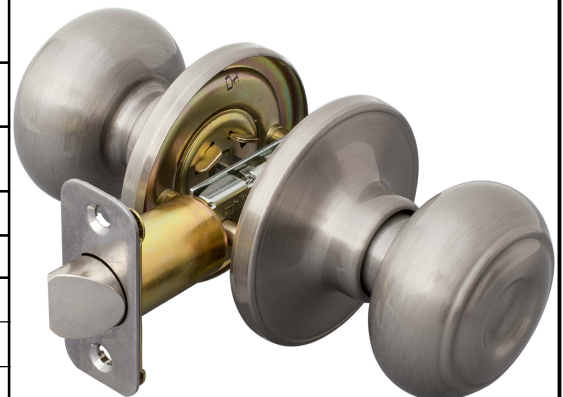
**Overall Size:** 2 5/8" W X 2 5/8" H X 2 3/4" D

**Material:** Stainless Steel

**Finish:** US15 Satin Nickel

### Cross Reference

Manufacturer	Part Number



Description:

**Passage Knob, Callista,  
ANSI Grade 3**

Part Number:

**87320**

Date

06/22

Rev.

04

Sheet 1 of 1