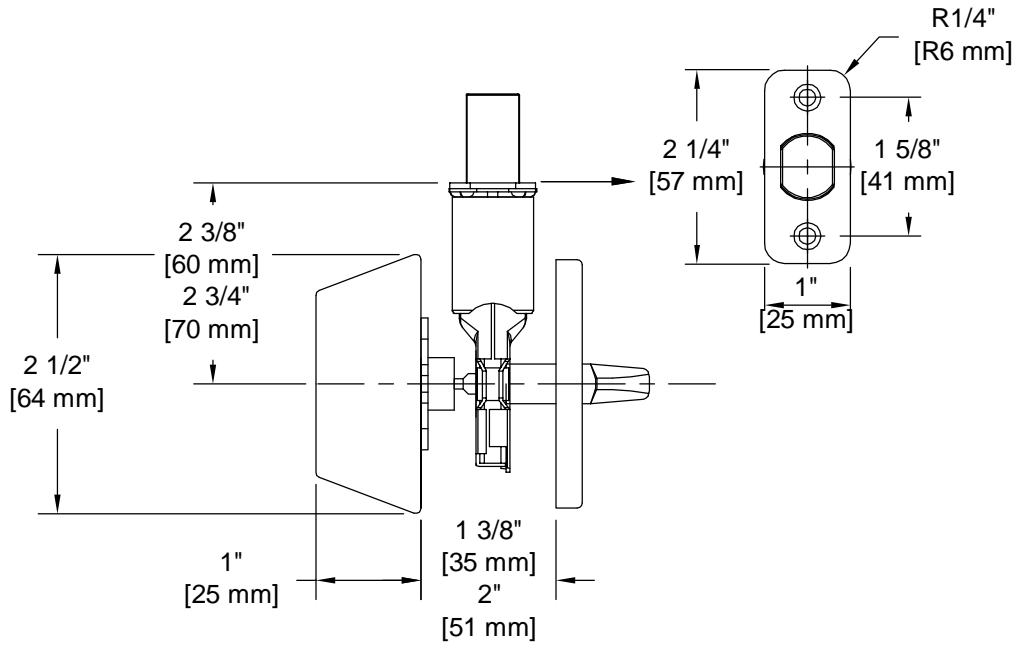


# PRODUCT DATA SHEET

**Product Description:** Dead bolt door lock, single cylinder. ANSI Grade 3 dead bolt with a Kwikset KW 1 solid brass keyway. Escutcheons are brass with a US15 satin nickel finish. Internal mechanism fabricated from hardened steel with a zinc dichromate corrosion preventive finish. Key opens outside, thumbscrew turn opens inside. Ships with mounting hardware. Lock ships with mortise latch. Optional drive in latch (product #87396) and UL10C fire rated latch (product #87374) available.



**Door Prep:** Cross Bore 2 1/8+, Edge Bore 1+, Mortise Latch Face 1+x 2 1/4+, Optional Drive In Latch 1" Diameter Drilled Hole

**Latches:** Ships With Mortise Latch As Shown Above. Optional Drive In Or UL10C Fire Rated Latches Available

**Backset:** Adjustable Latch to 2 3/8+ or 2 3/4+

**Door Thickness:** Fit all 1 3/8+ - 1 3/4+ Standard Doors

**Cylinder:** Brass with Nickel Plated Brass Keys and 5 Pin Tumbler Kwikset KW1 Keyway

**Strike Plate:** 2 1/4+ Full Lip Strike

**Bolt:** 1+ Throw

**REKEY OPTIONAL**



**Overall Size:** 2 1/2" W X 2 1/2" H X 1 1/8" D

**Material:** Brass Escutcheons, Hardened Steel Mechanism

**Finish:** US15 Satin Nickel

### Cross Reference

Manufacturer	Part Number



Description:

**Dead Bolt, Single  
Cylinder, Builder Series,  
KW1, ANSI Grade 3**

Part Number:

**87348**

Date

09/16

Rev.

03