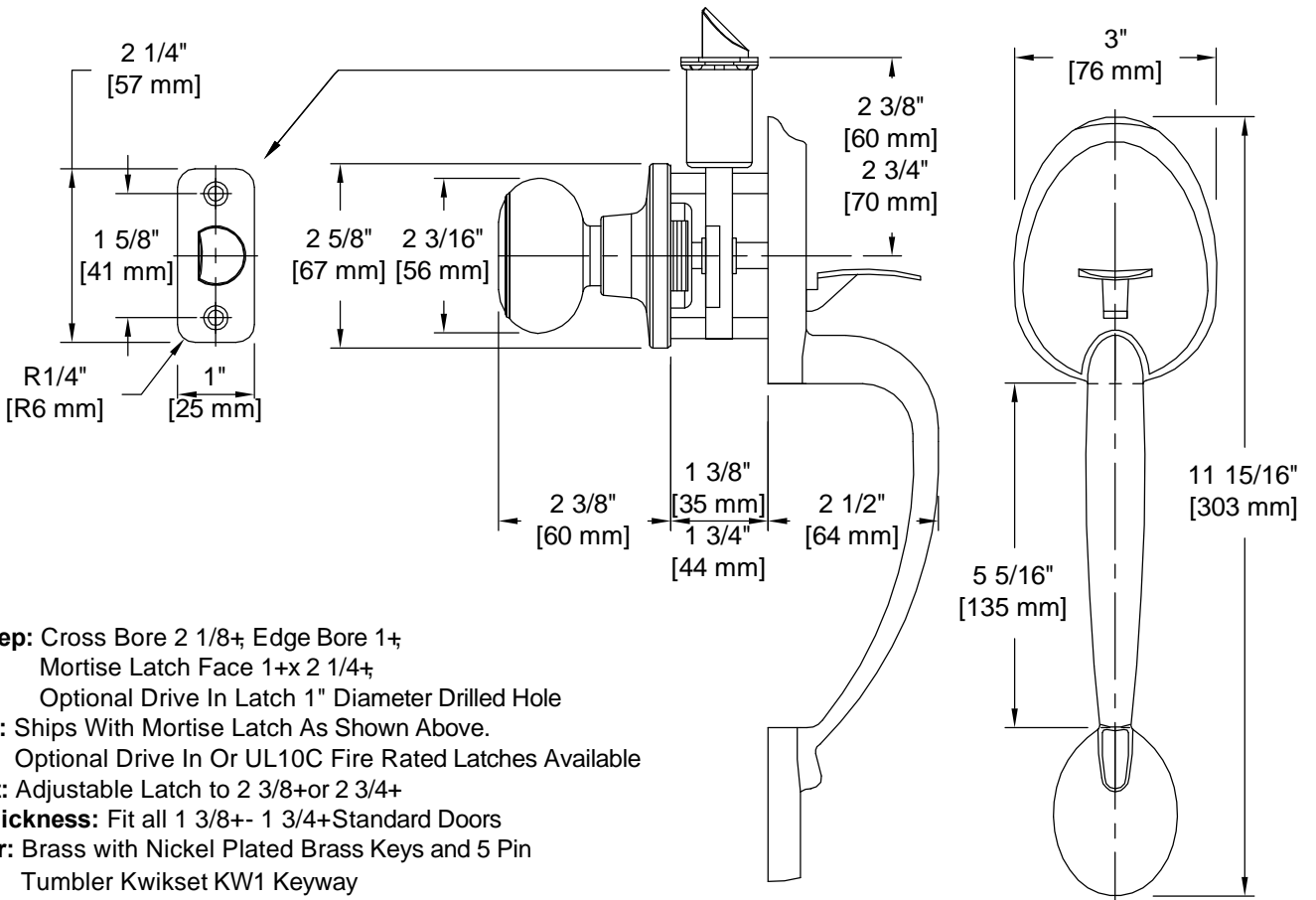


PRODUCT DATA SHEET

Product Description: Entry set, ANSI Grade 3. Set includes passage pull with thumb latch, interior knob. Pull manufactured from die cast zinc with a US11P Venetian bronze finish. Ships with mounting hardware. Lock ships with mortise latch. Optional drive in and UL10C fire rated latches available.



Door Prep: Cross Bore 2 1/8+, Edge Bore 1+,
Mortise Latch Face 1+x 2 1/4+,
Optional Drive In Latch 1" Diameter Drilled Hole

Latches: Ships With Mortise Latch As Shown Above.
Optional Drive In Or UL10C Fire Rated Latches Available

Backset: Adjustable Latch to 2 3/8+or 2 3/4+

Door Thickness: Fit all 1 3/8+- 1 3/4+Standard Doors

Cylinder: Brass with Nickel Plated Brass Keys and 5 Pin
Tumbler Kwikset KW1 Keyway

Strike Plate: 2 1/4+Full Lip Strike

Bolt: 1/2+Throw

REKEY OPTIONAL



Overall Size: 3" W X 11 15/16" H X 2 1/2" D

Material: Zinc

Finish: US11P Venetian Bronze

Cross Reference

Manufacturer	Part Number



Description:

Callista Entry Set with Interior Knob, KW1, ANSI Grade 3

Part Number:

87365

Date

09/16

Rev.

03

Sheet 1 of 1