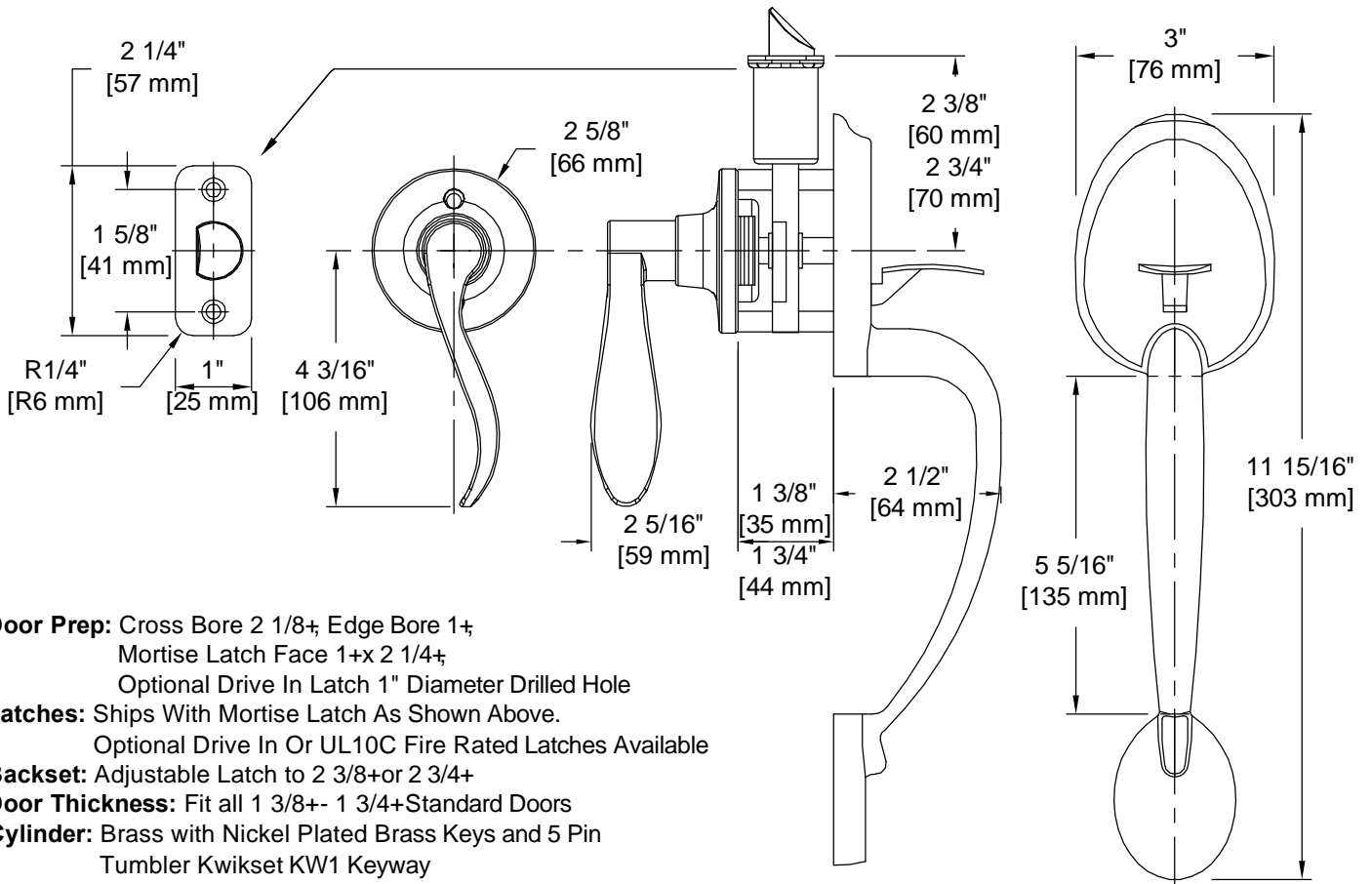


# PRODUCT DATA SHEET

**Product Description:** Entry set, ANSI Grade 3. Set includes passage pull with thumb latch, interior right lever. Pull manufactured from die cast zinc with a US11P Venetian bronze finish. Ships with mounting hardware. Lock ships with mortise latch. Optional drive in and UL10C fire rated latches available.



**Door Prep:** Cross Bore 2 1/8+, Edge Bore 1+,  
Mortise Latch Face 1+x 2 1/4+,  
Optional Drive In Latch 1" Diameter Drilled Hole

**Latches:** Ships With Mortise Latch As Shown Above.  
Optional Drive In Or UL10C Fire Rated Latches Available

**Backset:** Adjustable Latch to 2 3/8+ or 2 3/4+

**Door Thickness:** Fit all 1 3/8+ - 1 3/4+ Standard Doors

**Cylinder:** Brass with Nickel Plated Brass Keys and 5 Pin  
Tumbler Kwikset KW1 Keyway

**Strike Plate:** 2 1/4+ Full Lip Strike

**Bolt:** 1/2+ Throw

REKEY OPTIONAL



**Overall Size:** 3" W X 11 15/16" H X 2 1/2" D

**Material:** Die Cast Zinc

**Finish:** US11P Venetian Bronze

### Cross Reference

Manufacturer	Part Number



Description:

**Dakota Entry Set with Interior Right Lever, KW1, ANSI Grade 3**

Part Number:

**87368**

Date

09/16

Rev.

03

Sheet 1 of 1