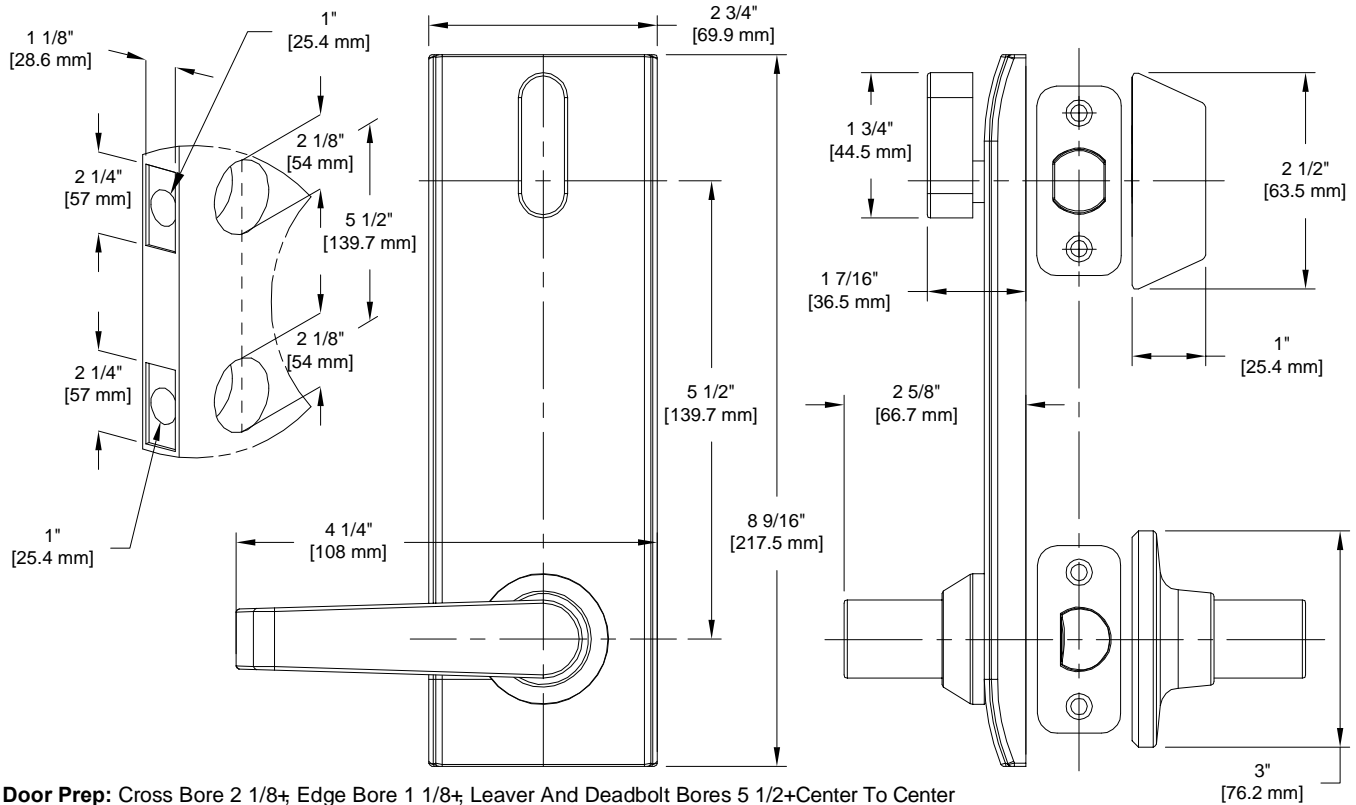


# PRODUCT DATA SHEET

**Product Description:** Largo Interconnected Lock with deadbolt and reversible passage lever. Levers fabricated from die cast zinc, escutcheon fabricated from stainless steel with US15 satin nickel finish. Single locking functionality; deadbolt is operated with a key outside and thumb turn inside. Deadbolt and passage latches are simultaneously retracted by lever operation from inside for single motion exit. ANSI Grade 2; ADA Compliant; and UL10 C 3-hour fire rated.



**Door Prep:** Cross Bore 2 1/8+, Edge Bore 1 1/8+, Leaver And Deadbolt Bores 5 1/2+Center To Center  
**Door Thickness:** Fits Doors 1 3/8+to 1 3/4+Thick  
**Faceplates:** Radius Corners 1 1/8+X 2 1/4+  
**Backsets:** Both Deadbolt and Passage Latches Adjustable 2 3/8+to 2 3/4+  
**Strike Plates:** Radius Corners, Full Lip, 2 3/4+X 1 1/8+  
**Bolts:** Lever 1/2" Throw, Deadbolt 1+Throw  
**Lock Cylinder:** Kwikset Type KW1 5-Pin Cylinder  
**Handing:** Reversible Levers

**REKEY OPTIONAL**



**Overall Size:** 4 1/4" W X 8 9/16" H X 2 5/8" D

**Material:** Zinc Handles, Stainless Steel Escutcheon

**Finish:** US15 Satin Nickel

### Cross Reference

Manufacturer	Part Number
Pamex	FI35 Series



Description: **Interconnected Lock, Passage Lever And Deadbolt, UL 10C 3-Hour Fire Rated, ANSI Grade 2**

Part Number: **87390**

Date: 11/16 Rev. 02

Sheet 1 of 1