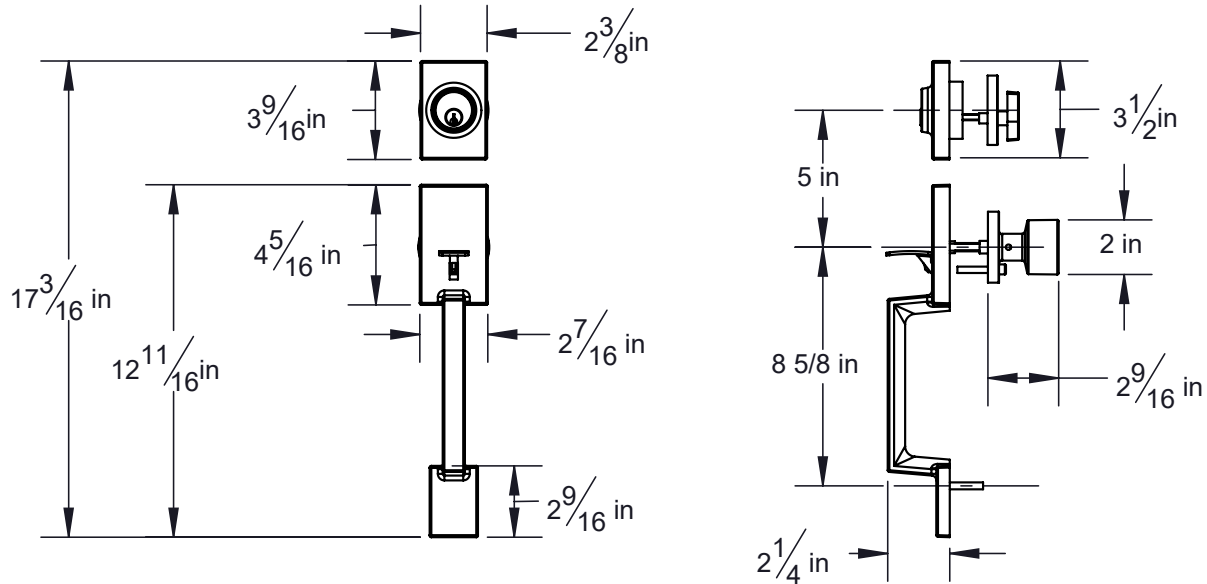


PRODUCT DATA SHEET

Product Description: Contemporary style handleset, ANSI Grade 3 with a Kwikset KW 1 keyway. Includes exterior pull and thumb latch with an interior knob with a US19 matte black finish. Ships with mounting hardware. Handleset ships with mortise latches. Optional drive in latches (product #87396 and #87398) available.



Door Prep: Cross Bore $2\frac{1}{8}$ " , Center To Center $5\frac{1}{2}$ " , Edge Bore 1 " , Mortise Latch Face 1 " X $2\frac{1}{4}$ " X $1/4$ " Radius, Optional Drive In Latches Require 1 " Diameter Edge Bores

Latches: Ships With Mortise Latches As Shown Above. Optional Drive In Latches Available

Backset: Adjustable Latch $2\frac{3}{8}$ " Or $2\frac{3}{4}$ "

Door Thickness: Fits All $1\frac{3}{8}$ " - $1\frac{3}{4}$ " Standard Doors

Strike Plates: $2\frac{1}{4}$ " Full Lip Strikes

Cylinder: 5 Pin KW1 Standard

Bolt: $1/2$ " Throw

Deadbolt: 1 " Throw

REKEY OPTIONAL



Overall Size: $2\frac{7}{16}$ " W X $17\frac{3}{16}$ " H X $2\frac{1}{4}$ " D

Material: Brass Knob, Die Cast Zinc Handle, Steel Mechanism

Finish: US19 Matte Black

Cross Reference

Manufacturer	Part Number



Description:

**Brooklyn Handleset
With Interior Knob,
KW1, ANSI Grade 3**

Part Number:

87413

Date

Rev.

Sheet 1 of 1