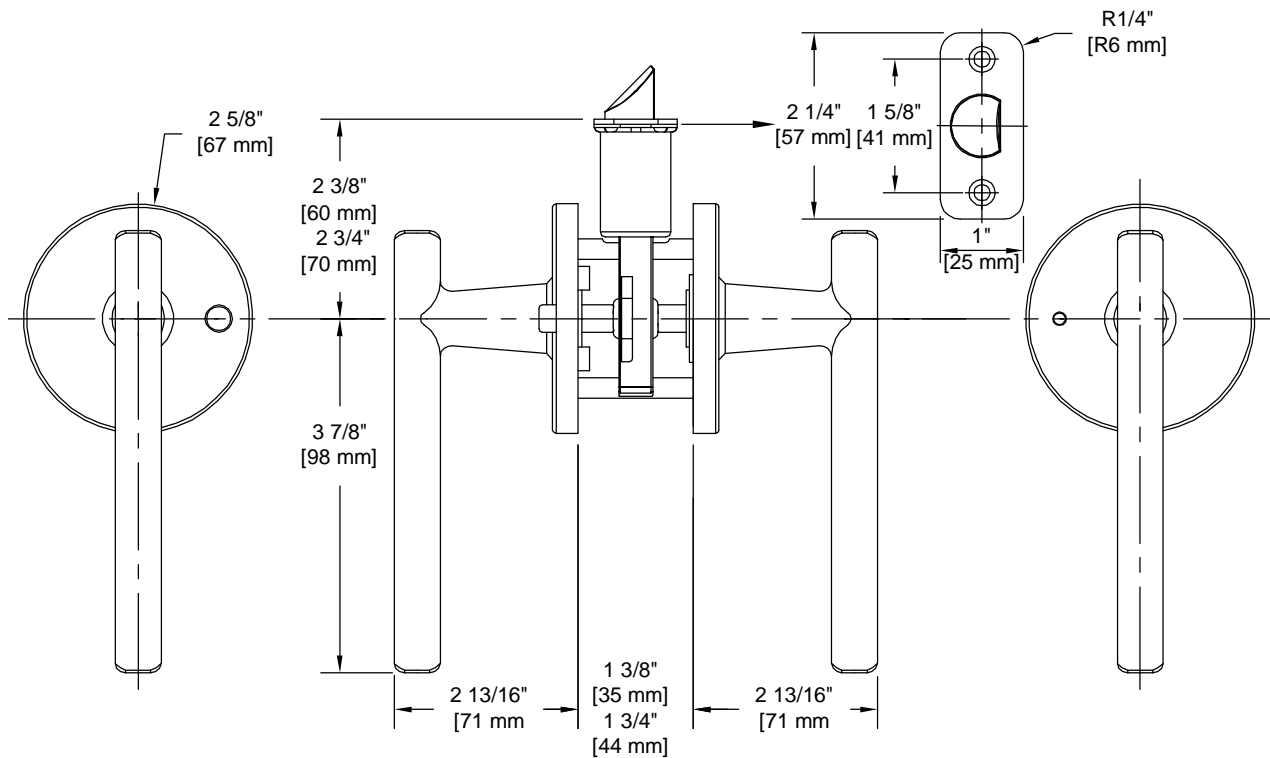


# PRODUCT DATA SHEET

**Product Description:** Privacy lever, reversible. Fabricated from die cast zinc with a US26 bright chrome finish. Locked or unlocked by a push button inside. Ships with mounting hardware. Lock ships with mortise latch. Optional drive in latch (product #87398) available.



**Door Prep:** Cross Bore 2 1/8+, Edge Bore 1+, Mortise Latch Face 1+x 2 1/4+, Optional Drive In Latch 1" Diameter Drilled Hole

**Latches:** Ships With Mortise Latch As Shown Above. Optional Drive In Latch Available

**Backset:** Adjustable Latch to 2 3/8+ or 2 3/4+

**Door Thickness:** Fit all 1 3/8+ - 1 3/4+ Standard Doors

**Strike Plate:** 2 1/4+ Full Lip Strike

**Bolt:** 1/2+ Throw



**Overall Size:** 5 1/4" W X 2 5/8" H X 2 13/16" D

**Material:** Die Cast Zinc

**Finish:** US26 Bright Chrome

### Cross Reference

Manufacturer	Part Number



Description:

**Privacy Lever, Reversible,  
Riley, ANSI Grade 3**

Part Number:

87603

Date

06/22

Rev.

04

Sheet 1 of 1