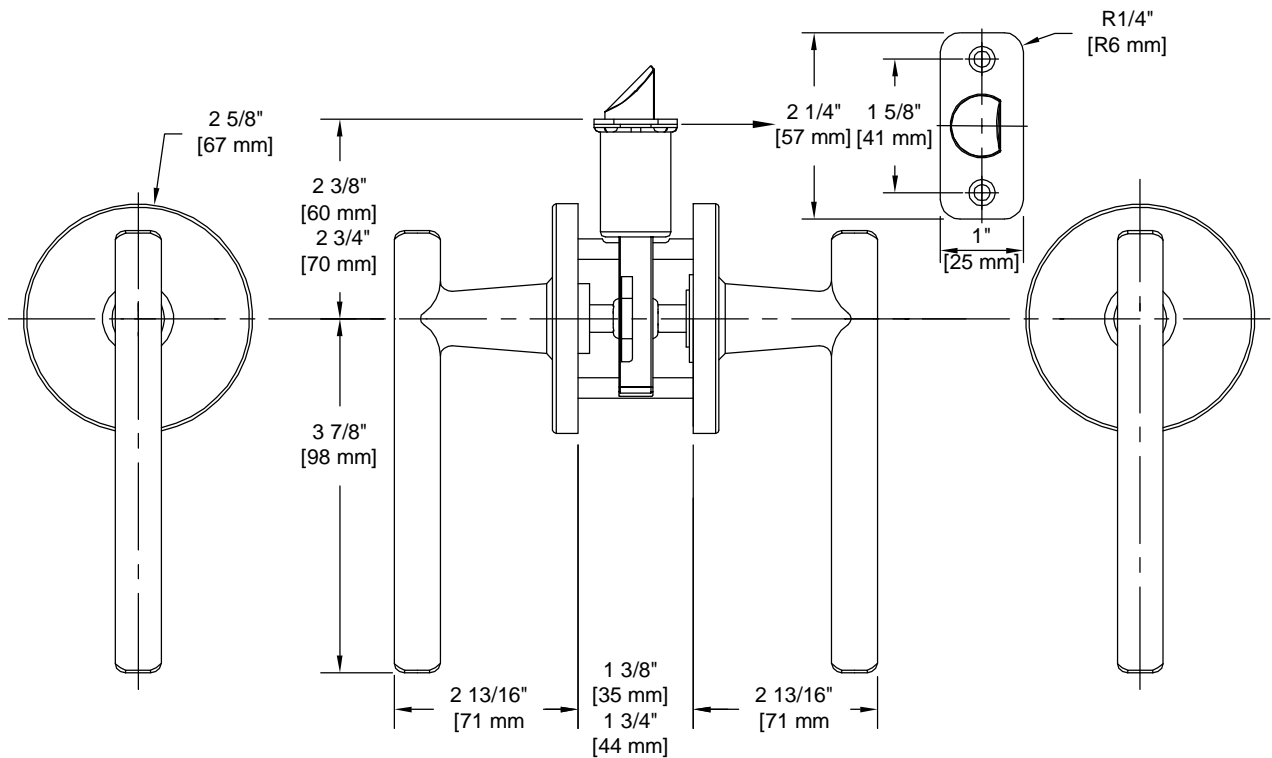


PRODUCT DATA SHEET

Product Description: Passage lever, reversible, ANSI Grade 3. Fabricated from die cast zinc with a US26 bright chrome satin nickel finish. Both levers are always free. Ships with mounting hardware. Lock ships with mortise latch. Optional drive in and UL10C fire rated latches available.



Door Prep: Cross Bore 2 1/8+, Edge Bore 1+, Mortise Latch Face 1+x 2 1/4+, Optional Drive In Latch 1" Diameter Drilled Hole
Latches: Ships With Mortise Latch As Shown Above. Optional Drive In Or UL10C Fire Rated Latches Available
Backset: Adjustable Latch to 2 3/8+or 2 3/4+
Door Thickness: Fit all 1 3/8+- 1 3/4+Standard Doors
Strike Plate: 2 1/4+Full Lip Strike
Bolt: 1/2+Throw



Overall Size: 5 1/4" W X 2 5/8" H X 2 13/16" D

Material: Die Cast Zinc

Finish: US26 Bright Chrome

Cross Reference

Manufacturer	Part Number



Description:
**Passage Lever, Reversible,
 Riley, ANSI Grade 3**

Part Number:	Date	Rev.
87604	09/16	03
Sheet 1 of 1		