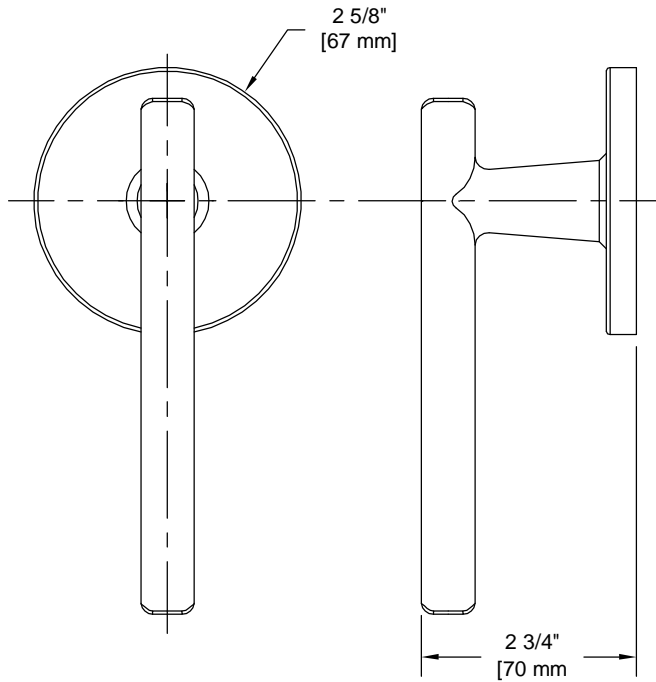


PRODUCT DATA SHEET

Product Description: Dummy door lever, reversible. Fabricated from die cast zinc with a US26 bright chrome finish. Product does not turn or perform a function other than for decorative purposes or as a pull. Surface mounted with 2 exposed mounting screws. Door thickness should be greater than 1+. Ships with mounting hardware.



Overall Size: 5 1/4" W X 2 5/8" H X 2 3/4" D

Material: Die Cast Zinc

Finish: US26 Bright Chrome

Cross Reference

| Manufacturer | Part Number |
|--------------|-------------|
| | |
| | |
| | |



Description:

**Lock Lever, Dummy,
Reversible, Riley**

Part Number:

87605

Date

09/16

Rev.

02